

# Annexe 1



Cet intercalaire doit obligatoirement être inséré  
devant la page de garde d'un manuel de vol en  
langue anglaise

## AVERTISSEMENT


Le présent document en langue anglaise est le manuel de vol approuvé par l'Agence européenne de la sécurité aérienne.

En application des dispositions de l'arrêté du 24 juillet 1991 relatif aux conditions d'utilisation des aéronefs civils en aviation générale (« Un vol ne peut être entrepris que si, d'une part les membres d'équipage sont familiarisés avec l'aéronef et son équipement de bord, notamment le matériel de sécurité-sauvetage et les systèmes spéciaux, et d'autre part ont une connaissance pratique de son manuel de vol ou des documents acceptés comme équivalents. »),

**Nul ne peut utiliser l'aéronef avec ce seul document s'il n'a pas une connaissance suffisante de la langue anglaise.**

A défaut, il appartient au propriétaire ou à l'exploitant de l'aéronef de se procurer une traduction de ce document sous sa responsabilité.

Référence : Instruction du 13/11/2009 relative à la langue des manuels de vol

	R - 20 - 00	Indice A	31 mai 2012	Page : 8
---	-------------	----------	-------------	----------



**FLIGHT MANUAL  
FOR THE SAILPLANE**

**LS 8**

**TYPE:** LS 8  
**VARIANTS:** LS 8  
LS 8 - a  
LS 8 - 1 8  
LS 8 - b

**TC Data Sheet No.:** EASA.A.047

**Issued:** June 2016

**Owner:**

**Ser. No.:**

**Registration:**



Flight manual approved by.  
Authority EASA  
Date of approval 05 August 2016

This sailplane is to be operated in compliance with information and limitations contained herein.

**Copyright DG Flugzeugbau GmbH any copy or publishing prohibited**

DG Flugzeugbau  
Otto Lilienthalweg 2  
76646 Bruchsal  
[www.dg-flugzeugbau.de](http://www.dg-flugzeugbau.de)  
Spare part- and material sales:

Telefon (07251) 3020-0  
Telefax (07251) 3020-200  
[dg@dg-flugzeugbau.de](mailto:dg@dg-flugzeugbau.de)  
Tel. 07251/3020-270  
[lager@dg-flugzeugbau.de](mailto:lager@dg-flugzeugbau.de)

## 0 Manual Contents

### 0.1 Log of Revisions

Any revision of the present manual, except actual weighing data, must be recorded in the following table and in case of approved Sections endorsed by the responsible airworthiness authority.

The new or amended text in the revised page will be indicated by a black vertical line in the right hand margin, and the revision No. and the date will be shown on the bottom left hand of the page.

No	Page	Description	Date	EASA approval
0.1	all	Combination of the initial Flight Manuals of the Variants LS8, LS8-a, LS8-b, LS8-18, new standardized format	June 2016	05 August 2016
0.2	1-2, 1-4, 2-4, 2-5, 2-9, 2-10, 2-12, 4-5, 4-6, 4-13, 4-18, 6-1, 6-4, 7-11, 8-2, 8-3, 8-4 (6-1, 6-4 text from LS8-b taken for all variants)	TN8024 Miscellaneous changes to the last revisions of the initial flight manuals	June 2016	05 August 2016

## Flight Manual LS8 (LS8, LS8-a, LS8-18, LS8-b)

### 0.2 List of Effective Pages

Section		Page	issued	replaced	replaced
0		Titel	June 2016		
		0-1	See manual	amendments	
		0-2	"		
		0-3	"		
		0-4	"		
		0-5	"		
		0-6	"	June 2016	
1		1-1	June 2016		
		1-2	März 2011		
		1-3	June 2016		
		1-4	June 2016		
		1-5	June 2016		
2	EASA-app.	2-1	June 2016		
	"	2-2	June 2016		
	"	2-3	June 2016		
	"	2-4	June 2016		
	"	2-5	June 2016		
	"	2-6	June 2016		
	"	2-7	June 2016		
	"	2-8	June 2016		
	"	2-9	June 2016		
	"	2-10	June 2016		
	"	2-11	June 2016		
	"	2-12	June 2016		
	"	2-13	June 2016		
3	"	3-1	June 2016		
	"	3-2	June 2016		
	"	3-3	June 2016		
	"	3-4	June 2016		
	"	3-5	June 2016		
	"	3-6	June 2016		
	"	3-7	June 2016		
	"	3-8	June 2016		
	"	3-9	June 2016		

**0.2 List of Effective Pages** continued

Section		Page issued	replaced	replaced
4	EASA-app.	4-1	June 2016	
	"	4-2	June 2016	
	"	4-3	June 2016	
	"	4-4	June 2016	
	"	4-5	June 2016	
4		4-6	June 2016	
		4-7	June 2016	
	"	4-8	June 2016	
	"	4-9	June 2016	
	"	4-10	June 2016	
	"	4-11	June 2016	
	"	4-12	June 2016	
	"	4-13	June 2016	
	"	4-14	June 2016	
	"	4-15	June 2016	
	"	4-16	June 2016	
	"	4-17	June 2016	
	"	4-18	June 2016	
	"	4-19	June 2016	
	"	4-20	June 2016	
	"	4-21	June 2016	
	"	4-22	June 2016	
	"	4-23	June 2016	
	"	4-24	June 2016	
	"	4-25	June 2016	
	"	4-26	June 2016	
	"	4-27	June 2016	
5	"	5-1	June 2016	
	"	5-2	June 2016	
	EASA-app.	5-3	June 2016	
		5-4	June 2016	

**0.2 List of Effective Pages** continued

Section	Page	issued	replaced	replaced
6	6-1	June 2016		
	6-2	June 2016		
	6-3	June 2016		
	6-4	June 2016		
7	7-1	June 2016		
	7-2	June 2016		
	7-3	June 2016		
	7-4	June 2016		
	7-5	June 2016		
	7-6	June 2016		
	7-7	June 2016		
	7-8	June 2016		
	7-9	June 2016		
	7-10	June 2016		
	7-11	June 2016		
8	8-1	June 2016		
	8-2	June 2016		
	8-3	June 2016		
	8-4	June 2016		
	8-5	June 2016		
	8-6	June 2016		
	8-7	June 2016		
	8-8	June 2016		
	8-9	June 2016		
	8-10	June 2016		
9	9-1	June 2016		

**0.3 Table of Contents**

<u>No.</u>	<u>Section</u>	<u>Approval Status</u>
<b>1</b>	<b>General</b> .....	non-approved
<b>2</b>	<b>Limitations</b> .....	approved
<b>3</b>	<b>Emergency Procedures</b> .....	approved
<b>4</b>	<b>Normal Procedures</b> .....	approved
<b>5</b>	<b>Performance</b> .....	partly approved
<b>6</b>	<b>Weight and Balance</b> .....	non-approved
<b>7</b>	<b>Description of Systems)</b> .....	non-approved
<b>8</b>	<b>Handling, Servicing and Maintenance</b> .....	non-approved
<b>9</b>	<b>Supplements</b> .....	non-approved

## **1 General**

### Contents of **Section 1**:

1 General .....	1-1
1.1 Introduction .....	1-2
1.2 Certification Basis .....	1-2
1.3 Warnings, Cautions and Notes (Definitions) .....	1-3
1.4 Descriptive and Technical Data .....	1-4
1.5 Three View Drawing .....	1-5



## **1.1 Introduction**

This sailplane Flight Manual has been prepared to provide pilots and instructors with information for the safe and efficient operation of the **LS 8** sailplane.

This manual includes the material required to be furnished to the pilot by JAR Part 22. It also contains supplementary data supplied by the sailplane manufacturer.

The LS8 is a high performance sailplane, not a basic trainer. However excellent *in* design, construction, performance and handling qualities, flying it requires a skilled pilot, who observes the limitations and recommendations set out in this manual.

## **1.2 Certification Basis**

This type of sailplane has been approved by Luftfahrt-Bundesamt (LBA) Braunschweig in accordance with JAR-22 dated 28. October 1985, (Change 5).

The Type Certificate EASA A.047 for the variant LS8 was issued on 17.05.2006.

The Type Certificate LBA No. 402 for the variant LS 8-a *was* issued on 17.05.1996.

The Type Certificate LBA No. 402 for the variant LS 8-18 *was* issued on 20.01.2000.

The Type Certificate LBA No. 402 for the variant LS 8-b *was* issued on 13.05.2002.

15.09.2010 the variants LS8-a, LS8-b, and LS8-18 have been incorporated into the EASA Type Certificate A.047.

Category of Airworthiness: "Utility".

### **1.3 Warnings, Cautions and Notes**

The following definitions apply to warnings, cautions and notes used in the Flight Manual

**Warning:** Means, that the non-observation of the corresponding procedure leads to an immediate or important degradation of the flight safety.

**Caution:** Means, that the non-observation of the corresponding procedure leads to a minor or to a more or less long term degradation of the flight safety.

**Note:** Draws the attention to any special item not directly related to safety, but which is important or unusual.

## 1.4 Descriptive and Technical Data

The LS 8-b is a single seater sailplane with carbon fibre wing shell, winglets, T-tail, wing and vertical tail fin water ballast systems, retractable and sprung landing gear, and upper wing surface air brakes. The LS8-b may be operated in 15m or 18m span and winglets in both versions. Structurally it is prepared for later installation of an engine (self-sustainer).

This sailplane has been produced using the latest technology of industrial fibre design (Glass-, Aramid- and Carbon fibres).

It is designed for competition flights – high performance combined with excellent handling characteristics.

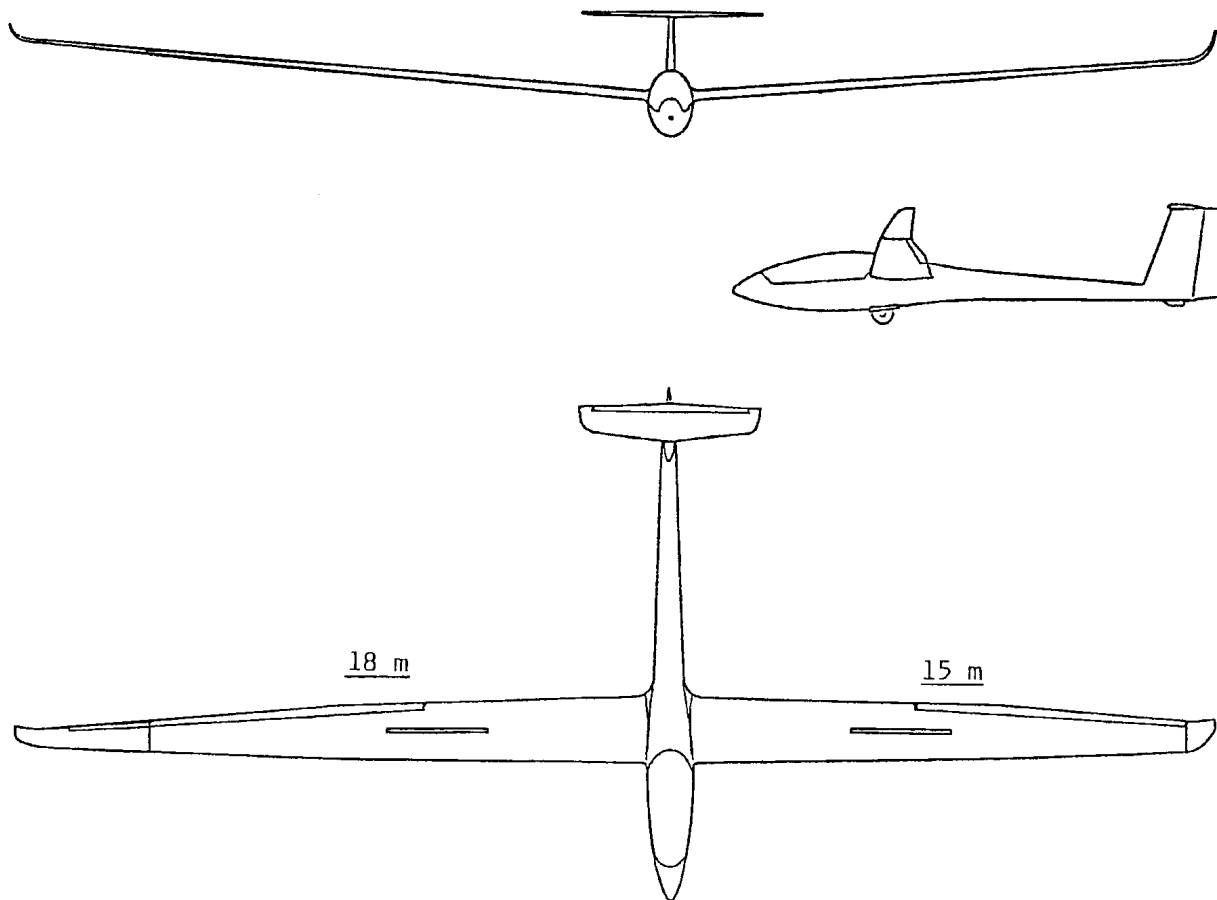
Wing span	<b>15m</b>	49.21ft	<b>18m</b>	59.6ft
Length	6.66m	21.84ft	6.66m	21.84ft
Height	1.33m	4.36ft	1.33m	4.36ft
MAC	0.700m	2.3ft	0.634m	2.08ft
Wing area	10.5 m <sup>2</sup>	113.0sq.ft	11.4 m <sup>2</sup>	122.9sq.ft
Wing aspect ratio	21.43	21.43	28.42	28.42
Maximum gross weight	525kg	1157lbs	525 kg	1157lbs
Maximum wing loading	50.0 kg/m <sup>2</sup>	10.3lbs/sq.ft	46.1 kg/m <sup>2</sup>	9.4lbs/sq.ft

**Note:** The variant LS8 is only certified with 15 m wingspan.

The variant LS8-a was designed for 15 m wingspan, but optionally could be delivered prepared for retrofit of 18 m wingtip extensions (TN8001).

When executing TN8002 (Conversion LS8-a to LS8-18) the variant LS8-a will be converted to variant LS8-18 and may be operated alternatively with 15 m or 18 m wingspan.

### 1.5 Three View Drawing



## **2 Limitations**

### Contents of **Section 2**:

2 Limitations .....	2-1
2.1 Introduction .....	2-2
2.2 Airspeeds (IAS) .....	2-3
2.3 Airspeed Indicator colour markings .....	2-4
2.4 Mass (Weight) .....	2-5
2.5 Centre of Gravity Limits .....	2-7
2.6 Manoeuvre Limits, Category of Airworthiness ..	2-8
2.7 Manoeuvring Load Factors .....	2-8
2.8 Kinds of Operation Limits .....	2-8
2.9 Flight Crew .....	2-9
2.10 Minimum Equipment List .....	2-10
2.11 Aero Tow, Winch Launch and Auto Tow .....	2-11
2.12 Further Limitations .....	2-12
2.12.1 Operating Placards for Limitations .....	2-12
2.12.2 Approved Gelcoats for Exterior Surfaces ....	2-13
2.12.3 Use of Water for Ballast .....	2-13

## **2.1 Introduction**

Section 2 includes operating limitations, instrument markings and basic placards necessary for safe operation of the LS8-b sailplane, its standard systems and standard equipment.

The limitations included in this section and in section 9 have been approved by LBA (Luftfahrt-Bundesamt Braunschweig).

The LS 8-b sailplane has been designed and approved according to JAR 22 requirements. Factors of safety (relation of ultimate loads to permissible maximum loads occurring during operation) are 1.5 only. Thus, ultimate loads will be reached, when exceeding permissible load factors by 50%. When exceeding permissible speeds, the safety reserve is much lower.

Maximum loads should never be caused by the pilots control surface deflections – they result from severe turbulence and the necessary control surface deflections to retain the desired flight attitude.

**Severe turbulence** according to airworthiness requirements includes wave rotors, cumulonimbus clouds, dust devils and turbulence when crossing mountain ridges in strong winds.

**Warning:** Therefore, operational limits, - speeds and load factors - must be adhered to !

## 2.2 Airspeeds (IAS)

Airspeed limitations and their operational significance are shown below:

	Maximum permissible Speed	IAS	Remarks
VNE	Never exceed speed in calm air and up to an altitude above MSL of: 2000m ( 6500ft) 3000m ( 9800ft) 4000m (13100ft) 6000m (19700ft) 8000m (26200ft) 10000m (32800ft) 12000m (39400ft)	Km/h kt. mph 280 151 174 266 144 165 253 137 157 227 122 141 202 109 126 179 97 111 156 84 97	Do not exceed this speed in any operation and do not use more than 1/3 of control deflection.
VRA	Rough air speed	190 103 118	Do not exceed this speed except in calm air and then only with caution. Examples of rough air are lee wave rotor, thunderclouds, dust devils and turbulence when crossing mountain ridges in strong winds.
VA	Manoeuvring speed	190 103 118	Do not make full or abrupt control movement above this speed, because under certain conditions the sailplane may be overstressed by full control movement.
VW	Maximum winch-launching speed	140 76 87	Do not exceed this speed during winch- or auto-tow launching.
VT	Maximum aero towing speed	190 103 118	Do not exceed this speed during aero towing.
VL0	Maximum landing gear operating speed	280 151 174	Do not extend or retract the landing gear above this speed.
	Maximum air brake extension speed	280 151 174	

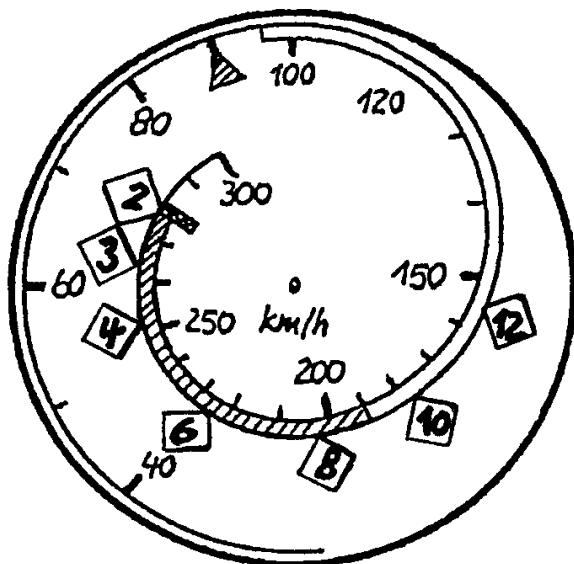
### 2.3 Airspeed indicator colour markings

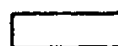


Airspeed indicator markings and their colour- code significance are shown below:

Marking	(IAS) value or range	Significance
Green arc	97-190 km/h 52-103 kt. 60-118 mph	Normal Operating range.
Yellow arc	190-280 km/h 103-151 kt. 118-174 mph	Manoeuvres must be conducted with caution and only in smooth air.
Red line	280 km/h 151 kt. 174 mph	Maximum speed for all not restricted operations.
Yellow triangle	90 km/h 49 kt. 56 mph	Recommended minimum approach speed at maximum weight without water ballast

For an example of airspeed indicator colour marking see below and Maintenance Manual section 7.5..

**Airspeed Indicator, diameter 80 mm <3.15 in>**, see  
(This type of marking is not possible with 57 mm <2.24 in> diameter.)



-  green
-  yellow
-  red

**red** altitude related VNE markings, here in km

Without altitude related VNE markings on the dial, a VNE placard according to section 2.12 must be on the instrument panel.



**2.4 Mass (Weight)**

Maximum take-off mass including water ballast .....525 kg      1157 lbs

Maximum mass without water ballast

**LS8-b, LS8-18** .....412 kg      908 lbs

**LS8, LS8-a**.....410 kg      904 lbs

Recommended landing mass.....500 kg      1102 lbs

**Warning:** It is recommended to discharge water ballast before each landing. Pilots are advised against landing with maximum all-up mass. When flying with maximum all-up mass, at least 25 Litres –6.6 US gallons, 5.5 Imp. gallons - (corresponding to about 15 Seconds of discharge time) should be discharged.

Maximum mass of non-lifting parts

**LS8-b, LS8-18**.....239 to 249 kg    527 to 549 lbs

**LS8, LS8-a**      244 to 253 kg    538 to 558 lbs

Value must be determined according to table in Maintenance Manual, section 2, related to empty mass and empty mass C.G. position. The term “non-lifting” parts includes the following:

- Fuselage (with permanently installed instruments, canopy and main pins)
- Cockpit load (Pilot + parachute + equipment <for instance battery in baggage compartment>)
- Waterballast in tail fin to compensate pilot mass
- Horizontal tail

Water ballast (to compensate wing ballast) and battery in tail fin do not count for “non-lifting” parts, but for maximum all-up weight.

## 2.4 Mass (Weight) continued

### Max. wing water ballast tank capacities:

#### **LS8:**

Maximum approved capacity of water bags: about 50 <110> resp. 75 kg <165lbs> per wing= total of **100** <240> resp. **150.0** kg <331 lbs>

#### **LS8-a, LS8-18, LS8-b:**

Maximum approved capacity of integral tanks: about 95 kg <209 lbs> per wing= total of **190.0** kg <419 lbs>

**Warning:** Wing water ballast must always be compensated by tail fin water ballast according to table in section 4.5.10.5 .

### Maximum tail tank capacity:

#### **LS8:**

Maximum tail tank capacity: without battery box **5.5** kg <12 lbs>  
with battery box **3.8** to **4.1** kg <8.4 to 9.0 lbs>

#### **LS8-a and LS8-18:**

without battery box .....**5.5** kg <12 lbs>  
with battery box .....**3.8** to **4.1** kg <8.4 to 9.0 lbs>  
Integral tank.....**12.0** kg <24.5 lbs>

**LS8-b:** (Integral tank) **7.5** kg <16.5 lbs>

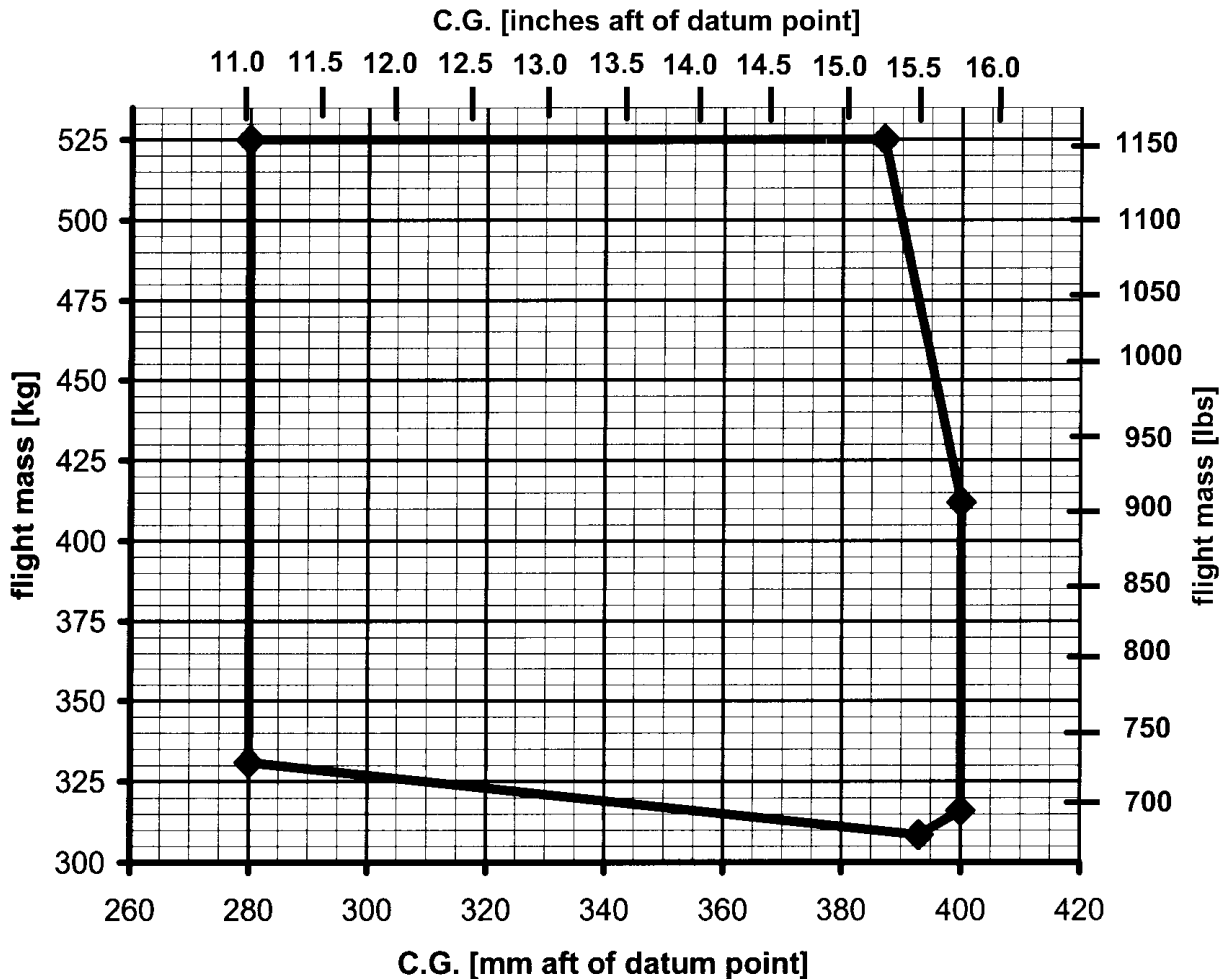
Maximum mass in Baggage Compartmentmax. 5.0 kg 11 lbs

Maximum mass of all instrument panel installationsmax. 6.7 kg 14.8 lbs

**Warning:** The vertical tail fin battery may be removed from the tail fin to reduce Minimum Cockpit Load (see entries in section 6.2 for possible combinations !)

## 2.5 Centre of Gravity Limits

Datum Point: Leading edge of wing at root, when under side of fuselage boom is placed horizontal.



*Take-off C.G. position [mm aft of Datum]*

Maximum allowable forward C.G. Position at maximum Mass: **280 mm**  
<11.024 in> aft of Datum

Maximum allowable rearward C.G. Position: **400 mm** <15.748 in> aft of  
Datum

**Warning:** Vertical tail fin water ballast must be used to compensate C.G. displacement due to wing water ballast, surplus may be used to compensate pilot weight above Minimum Cockpit Load !  
Maximum amounts see section 4.5.10.5.

**2.6 Approved manoeuvres / Category of Airworthiness**

The LS 8 sailplane is certified in the U ("Utility") category according to JAR 22.

**Aerobatic flight not approved.**

**2.7 Manoeuvring load factors**

At 190 km/h, 103kt., 118 mph.....5.3 g positive to 2.65 g negative

At 280 km/h, 151 kt., 174 mph (Air brakes retracted)      4.0 g positive to  
1.5 g negative

At 280 km/h, 151 kt., 174 mph (Air brakes extended)      3.5 g positive to  
0.0 g negative

**2.8 Kinds of operation**

The LS8 sailplane is approved for Day-VFR

Use of water ballast limited to non-freezing conditions.

Additives to water ballast not approved.

Cloud flying only approved without water ballast

Applicable only for countries, which permit cloud flying and when minimum equipment is certified for cloud flying, see inspectors entry in inspection certificate.

Minimum equipment see section 2-10.

For USA only:

Night-VFR, IFR and Flight into known icing conditions are not approved.

## 2.9 Flight crew

**Maximum cockpit load** (Pilot + parachute + baggage + temporary equipment + batteries (except for tail fin battery in fin), trim weights)  
max. **110 kg, 242 lbs**

See entry in section 6.2

Oxygen equipment in section 7.8.2

**Minimum cockpit load** (Pilot plus parachute, no baggage, no temporary equipment)

See cockpit placarding and entries in section 6.2

**Note:** For club use and without tail fin battery the min. cockpit load should be as follows:

no trim ballast in fuselage nose ..... 70 kg, 154 lbs

with 3 trim weights in fuselage nose ..... 55 kg, 121 lbs

(1 Trim weight - 2.5 kg, 5.5 lbs - corresponds to 5 kg, 11 lbs of Cockpit load)

If the sailplane does not fly in a club, it may be trimmed for a higher minimum cockpit load. See instructions in Maintenance Manual section 8.2.

Guiding values for modification of Minimum Cockpit Load:

Installation of 1 front trim ballast weight 2.5 kg <5.5 lbs> decreases Cockpit Load by 5 kg <11 lbs>.

(max. 3 front trim weights can be installed).

Further data regarding Cockpit Load see section 6.

**Warning:** Guiding values for modification of Minimum Cockpit Load always refer to conditions of last C.G. weighing. These conditions can be taken from entries in section 6.2.

**Warning:** For reasons of safety the Minimum Cockpit Load entries in the cockpit placards must be respected. Check if the desired configuration (full or empty tail fin tank, with or without tail fin battery) is set correctly.

Lighter pilots must positively check the following:

a) Tail fin tank empty: with discharge lever in open position the valve is really open (with discharge lever in open position air can be blown through valve by using the filling adapter)

b) Tail battery not installed (Check with horizontal tailplane removed!)

For possible combinations see Flight Manual entries in section 6 and on the Cockpit data placards.

## **2.10 Minimum Equipment List**

- Airspeed Indicator: scale 50-300 km/h (27-162 kt.; 31-186 mph)
- Altimeter: scale in m or ft.
- Remote indicating thermometer: approved types see Master Equipment List in Maintenance Manual.
- Four piece seat belt harness: approved types see Master Equipment List in Maintenance Manual.
- Vertical tail filling tube adapter: for checking of tail fin tank valve function (one of three removable filling funnel adapters)
- Magnetic compass: (for USA and Canada)
- Back cushion or parachute, in compressed form not thinner than 5 cm (2 in)
- Checklist, Type placard, Data and loading placard, Operating placards
- Flight Manual LS8-b

### **Additionally for cloud flying:**

- Turn and bank indicator
- Compass, compensated in sailplane
- Variometer: recommended: range at least  $\pm 10$  m/s (2000 ft/min; 20 kt.)
- Additionally ATC equipment, for instance transponder, is recommended.

Approved types of equipment see Master Equipment List in Maintenance Manual section 9.

**2.11 Aero tow, Winch-launch and Auto-tow**

Maximum approved winch-launch speed:**140 km/h (76 kt.; 87 mph)**  
(also valid for Auto-tow)

Maximum approved aero tow speed:**190 km/h (103 kt.; 118 mph)**

**Weak links**

for **winch-launch** maximum **8250 Newton** (825 kg; 1819 lbs)

Recommended: Tost weak link No. 3, colour code **red**, rated break away load  
7500 Newton (750 kg; 1653 lbs)

for **aero tow** maximum **6600 Newton** (660 kg; 1455 lbs)

Recommended: Tost weak link No. 5, colour code **blue**, rated break away  
load 6000 Newton (600 kg; 1323 lbs)

**Minimum tow cable length** for aero tow .....**30** m (100 ft)  
recommended length.....up to **80** m (260 ft)

**Caution:** During motorglider tow, limitations regarding weak link and tow cable length must be obeyed.

**2.12 Further Limitations**

**2.12.1 Operating Limitations Placards**

<b>DG Flugzeugbau GmbH</b>			
Type: LS8-xx	Serial No.: _____		
<b><u>Data Placard</u></b>			
Airspeed Limits:	km/h	mph	kt.
Winch launch/Auto tow	140	87	76
Aero tow	190	118	103
In rough air	190	118	103
Never exceed (VNE)	280	174	151
Max. Take-off mass	525 kg / 1157 lbs		
Aerobatic manoeuvres <b>not</b> approved			
<b><u>Weight Limitations</u></b>			
<b>Maximum Cockpit Load</b> ....	max.	_____	kg/lbs
<b>Minimum Cockpit Load</b>			
with tail battery, tail tank full	min.	_____	kg/lbs
with tail battery, tail tank empty	min.	_____	kg/lbs
without tail battery, tail tank full	min.	_____	kg/lbs
without tail battery, tail tank empty	min.	_____	kg/lbs
Lighter pilots must compensate lack of weight as suggested in Flight Manual			

xx is the designation of the variant

e.g. -a

at the right hand cockpit wall

<b>MINIMUM COCKPIT LOAD:</b>	kg / lbs
with tail battery, tail tank full	min. _____
with tail battery, tail tank empty	min. _____
without tail battery, tail tank full	min. _____
without tail battery, tail tank empty	min. _____

under instrument panel cover

<u>Altitude related VNE speeds above MSL</u>					
	m	ft	km/h	mph	Kt.
Up to	2000	( 6500)	- 280	174	151
Up to	3000	( 9800)	- 266	165	144
Up to	4000	(13100)	- 253	157	137
Up to	6000	(19700)	- 227	141	122
Up to	8000	(26200)	- 202	126	109
Up to	10000	(32800)	- 179	111	97
Up to	12000	(39400)	- 156	97	84

near airspeed indicator, if not marked on ASI

Maximum baggage weight <b>5 kg (11 lbs)</b> (Soft items only)
--

at baggage compartment



**2.12.2 Approved Gelcoat colours for exterior surfaces**

All external portions of the glider must be painted white except of wingtips, nose of fuselage and rudder.

Approved gelcoat: UP-Gelcoat Scheufler T35 white  
Tone similar to RAL 9010

**2.12.3 Use of water for ballast**

Use of water for ballast restricted to clear water without any additives.

### **3 Emergency Procedures**

Contents of **Section 3**:

3	Emergency procedures.....	3-1
3.1	Introduction.....	3-2
3.2	Emergency Canopy Jettison.....	3-2
3.3	Emergency Exit.....	3-3
3.4	Stall Recovery .....	3-3
3.5	Spin Recovery .....	3-4
3.6	Spiral Dive Recovery .....	3-4
3.7	Other Emergencies .....	3-5
3.7.1	Limitation of High Speed Flight.....	3-5
3.7.2	Rain .....	3-6
3.7.3	Inadvertent Freezing / Icing .....	3-6
3.7.4	Flight with asymmetric water ballast loading .....	3-7
3.7.5	Winch-launch cable failure .....	3-7
3.7.6	Emergency landing with landing gear retracted .....	3-8
3.7.7	Ground loop .....	3-8
3.7.8	Emergency landing in water .....	3-9
3.7.9	Flight in the vicinity of thunder storms.....	3-9

### **3.1 Introduction**

Section 3 provides checklist and amplified procedures for coping with emergencies that may occur. Emergencies caused by sailplane malfunction are extremely rare if proper pre-flight inspections and maintenance are practised.

However, should an emergency arise, the basic guidelines described in this section should be considered and applies as necessary to correct the problem.

### **3.2 Emergency Canopy Jettison**

**Canopy locks** : pull both red and white handles **to stops**

- Right handle operates emergency canopy jettison, therefore longer travel as on left handle.
- Hand force increases for emergency jettison travel to avoid unintentional jettison during normal operation.

**Canopy:** push off at **both** red and white handles

- Lifting panel assists pushing off.
- spring loaded peg at canopy frame rear edge acts as temporary hinge for clean separation from fuselage.

### **3.3 Emergency Exit**

**Canopy** - jettison

**Seat harness** - open

**Exit** - Lift with arms over cockpit rim  
push yourself away from the sailplane

- preferably dive under wing, to avoid the tail

### **3.4 Stall Recovery**

- Stall warning** - slight tail shudder prior to entry  
Aileron - effectiveness reduced by about 50%  
Sink rate - increases considerably

**Termination** - Stick forward to neutral

Stalling speed - at maximum weight (525 kg, 1157 lbs),  
straight flight and air brakes retracted:  
**83 km/h** (45 kt.; 52 mph) with 15 m (49 ft) wingspan  
**80 km/h** (43 kt.; 50 mph) with 18 m (59 ft) wingspan

air brakes extended:

**87 km/h** (47 kt.; 54 mph) with 15 m (49 ft) wingspan  
**85 km/h** (46 kt.; 53 mph) with 18 m (59 ft) wingspan

When during stalled flight the angle of incidence is increased considerably by further “pulling”, then –depending on C.G. position- spinning may result from asymmetric stall.

### **3.5 Spin Recovery**

**Simultaneously:**

**Elevator**-push forward

**Rudder**-full rudder deflection opposite to spin rotation until rotation stops

**Aileron**-opposite to spin rotation for quicker termination

**Until rotation stops, then:**

**Elevator**-smooth pull-out

Altitude loss during recovery about 100 m (300 ft)

**Note:** According to actual aileron deflection and C.G. position, more or less pronounced floating around the pitch axis (pitching oscillation) occurs during spinning.

### **3.6 Spiral Dive Recovery**

Spiral dive may occur, when the sailplane terminates spinning on its own and not by pilots action.

Then:

**Rudder** - opposite to dive rotation

**Aileron** - opposite to angle of bank

**Elevator** - pull cautiously

**Warning:** During dive-out be alert not to exceed maximum permissible speed VNE = 280 km/h (151 kt.; 174 mph) inadvertently!

### **3.7 Other Emergencies**

#### **3.7.1 Limitation of High Speed Flight**

(a) If there are indications, that the intended air speed will be exceeded, for instance

(1) While flying under large cloudbanks

(2) During cloud flying in heavy turbulence

**then:** air brakes should be extended carefully in the green arc airspeed indicator range before 190 km/h (103 kt.; 118 mph) is reached

**Warning:** In emergencies, air brakes can also be extended up to a speed of 280 km/h (151 kt.; 174 mph), however pay attention to the following: extend air brakes with care

**Warning:** In this speed range air brakes are sucked open suddenly during unlocking, resulting in short time negative acceleration, which may support pilot induced oscillations (P.I.O.).

(b) once extended, the air brakes can only be fully retracted at speeds below 220 km/h (119 kt.; 137 mph): spring loaded covers stay open due to aerodynamic suction.

(c) when air brakes are extended during descent **in rough air** (wave flights), a speed of 190 km/h (103 kt.; 118 mph) – green ASI range upper limit – should not be exceeded because of possible severe turbulence.

### **3.7.2 Rain**

#### **During Rain:**

- (a) expect considerable decrease of performance**
- (b) increase approach to landing speed by at least 10 km/h (5 kt.; 6 mph) above normal approach speed, because:**
  - (1) stall speed increases
  - (2) effectivity of controls decreases
- (c) open canopy window to increase visibility**

### **3.7.3 Inadvertent Freezing / Icing**

#### Water ballast in wings and tail fin

Water ballast must be dumped above +5° Centigrade (41° F) outside temperature due to safety reasons, check with built in thermometer below instrument panel:

- (a) Dumping below 0° Centigrade (32° F), the rear fuselage may collect ice, resulting in dangerous rearward C.G. displacement
- (b) Additionally, the wing discharge system may freeze on one side only or integral tanks may be blown up by expansion of ice.

**Caution:** For prolonged flights below +5° Centigrade (41° F) use no water ballast.

**Icing Conditions:** Move control surfaces continually to avoid freezing solid. Open canopy window for better visibility.

### **3.7.4 Flight with asymmetric Water Ballast Loading**

Uneven water dumping may be recognised as follows:

- (1) with free aileron, one wing tends downward.
- (2) for straight flight at low speeds considerable aileron deflection is required.  
then:
  - (a) stop further water ballast discharge to avoid even higher asymmetry due to increased weight difference
  - (b) avoid stalling
  - (c) for landing: Increase approach speed at least by about 10 km/h (5 kt.; 6 mph) over normal approach speed and touch down with this increased speed.
  - (d) to avoid ground looping, apply aileron shortly after in the direction as noticed before.

### **3.7.5 Cable failure during Winch Launch**

- (a) Immediately push stick forward until airspeed indication is within ASI green range
- (b) Release cable
- (c) According to altitude:
  - (1) use short traffic pattern and make safety landing on airfield or
  - (2) extend airbrakes immediately and land in front of winch

**Caution:** Water ballast discharge is recommended before each landing. Landing with maximum all-up weight is not recommended. In this case at least 25 Litres (6.6 US gallons, 5.5 UK gallons) –corresponding to 15 seconds of discharge time– should be dumped



### **3.7.6 Emergency Landing with Landing Gear Retracted**

Emergency landings with landing gear retracted are **not recommended**, because energy absorption of the sprung landing gear compared to the fuselage shell is higher.

If however an emergency landing with gear retracted is necessary, **do not touch down with minimum speed** to avoid stalling and resulting impact of cockpit region.

**Warning:** Always dump as much water as possible

### **3.7.7 Ground Loop**

When a landing strip obviously will not be long enough for a normal landing, initiate a ground loop at least 50 m (150 ft) before the end:

- (a) steer wingtip to desired direction onto the ground, whenever possible the windward side should be preferred.
- (b) simultaneously decrease tail skid load by controlled forward stick deflection.

### **3.7.8 Emergency Landing on Water**

During a water landing test with landing gear retracted, the sailplane used submarined completely. As submarining may be possible also with gear extended, the following procedure is recommended:

- (a) in downwind leg of your landing pattern
  - (1) extend landing gear
  - (2) open parachute harness
- (b) Touch down with gear extended and speed as low as possible.
- (c) At touch-down point use left arm to protect face against possible canopy fracture.
- (d) After touch down undo parachute and seat belt harnesses.
- (e) Leaving the cockpit under water, when the canopy has not fractured, is perhaps possible only after the forward fuselage is almost completely full of water.

### **3.7.9 Flight in the Vicinity of Thunder Storms**

Due to lightning flash, carbon fibre structures have been destroyed again and again. Therefore, flights and especially winch launches **in the vicinity of thunder storms** should be avoided, as in important structures of the LS8 carbon fibres are used.

# Flight Manual LS8

## 4 Normal Procedures

### Contents of Section 4:

4 Normal Procedures .....	4-1
4.1 Introduction .....	4-2
4.2 Rigging and De-rigging .....	4-2
4.3 Daily Inspection .....	4-5
4.4 Pre-flight Check .....	4-9
4.5 Normal Procedures .....	4-10
4.5.1 Cockpit-Checklist .....	4-10
4.5.2 Adjustment of Rudder Pedals .....	4-11
4.5.3 Automatic Parachute Ripcord .....	4-11
4.5.4 Adjustment of Backrest .....	4-11
4.5.5 Retractable Landing Gear .....	4-12
4.5.6 Wheel Brake .....	4-12
4.5.7 Trim System .....	4-12
4.5.8 Baggage Compartment Loading .....	4-12
4.5.9 Balancing of Pilots .....	4-12
4.5.10 Water Ballast .....	4-14
4.5.10.1 Vertical Tail Fin Tank Loading Procedure .....	4-15
4.5.10.2 Wing Tank Loading Procedure .....	4-16
4.5.10.3 Loading Plan for Water Ballast .....	4-18
4.5.10.4 Maximum Wing Water Ballast (Table) .....	4-19
4.5.10.5 Maximum Tail Fin Water Ballast (Table) .....	4-20
4.5.10.6 Dumping of Water Ballast .....	4-21
4.5.11 Winch Launch / Auto Tow .....	4-20
4.5.12 Aero tow .....	4-22
4.5.13 Free Flight .....	4-23
4.5.14 High Altitude Flight .....	4-24
4.5.15 Side-slip .....	4-25
4.5.16 Landing .....	4-26
4.5.17 Flight in Rain .....	4-27
4.5.18 Flight in the Vicinity of Thunderstorms .....	4-27
4.6 Postflight Check .....	4-27

#### **4.1 Introduction**

Section 4 provides checklist and amplified procedures for the conduct of normal operation. Normal operations associated with optional systems can be found in section 9.

#### **4.2 Rigging and De-Rigging**

1. Before rigging, insert draining plugs into root ribs - grease with Vaseline if necessary – and remove valve opener.
2. Before extending landing gear check for adequate ground clearance.
3. Clean and grease all pins and matching bushes including main pins and automatic control system connectors.
4. Position control stick centrally and  
**only LS8-a, LS8-18, LS8-b:** water ballast opening lever into "**closed**" position (cockpit lever(s) rearward).

**Warning:** When ailerons are deflected upward during rigging, then the automatic aileron connector lever strikes against the fuselage deflector and thus prevents rigging. Do not use brute force !

**Warning only LS8-a, LS8-18, LS8-b:** When cockpit water ballast levers are not in "closed" position, wings can not be rigged.

5. Rig wings in 15 m (49 ft) version and always without winglets; for winglet installation see page 4-4.
6. Insert right spar end into fuselage, aileron must be about neutral and watch for angle of dihedral.
7. Insert left spar end into fuselage, aileron must be about neutral and watch for angle of dihedral.
8. Insert main pins completely when *bushings* are lined up correctly.
9. Secure main pins by placing handles behind spring loaded pegs.
10. Insert battery into that place, which was defined during last C.G. weighing and calculation of cockpit load ranges (see Data Placard in cockpit or entry in section 6.2). Connect to system and check operation. The battery must be equipped with an appropriate main fuse!
11. Check forward horizontal tail attachment for ball being fixed.

**Warning:** When the ball is loose, refer to section 8.3.

## **4.2 Rigging and De-Rigging** continued

12. Install horizontal tail, secure with slotted nut against tapered pins (using supplied key or suitable coin) until free from play and red marking on attachment bracket is invisible.
13. Install total energy tube, secure against turning using tape; install barograph.
14. Connect automatic parachute ripcord to red marked portion at main bulkhead using special loop only.
15. Seal wing fuselage intersection by taping upper and lower sides and cut-out on upper horizontal tail fin.
16. When using water ballast, then according to details in section 4.5.10 and **check**:
  - (a) If tail fin valve really opens ?
  - (b) Opening of wing dump valves ?
  - (c) Wing system completely water tight ?
17. **Check control system functions using a helper.**
18. Perform Daily Inspection according to section 4.3.

## **4.2 Rigging and De-Rigging** continued

### **Installation of 15 m (49 ft) or 18 m (59 ft) Winglets**

Insert winglet until securing nut starts catching thread; when aileron pins at 18 m (59 ft) version are not correctly aligned, installation is impossible.

Turn nut in direction that it pulls winglet into position.

Lock nut until tip is free from play: zero play is reached, when force increases considerably during turning of nut with supplied key. Turn not further than next notch catching ratchet.

Tape wing tip intersection.

### **De-Rigging**

(1) Reverse **assembly** sequence.

(2) 15m (49 ft) winglets may be stored in cockpit when using some padding.

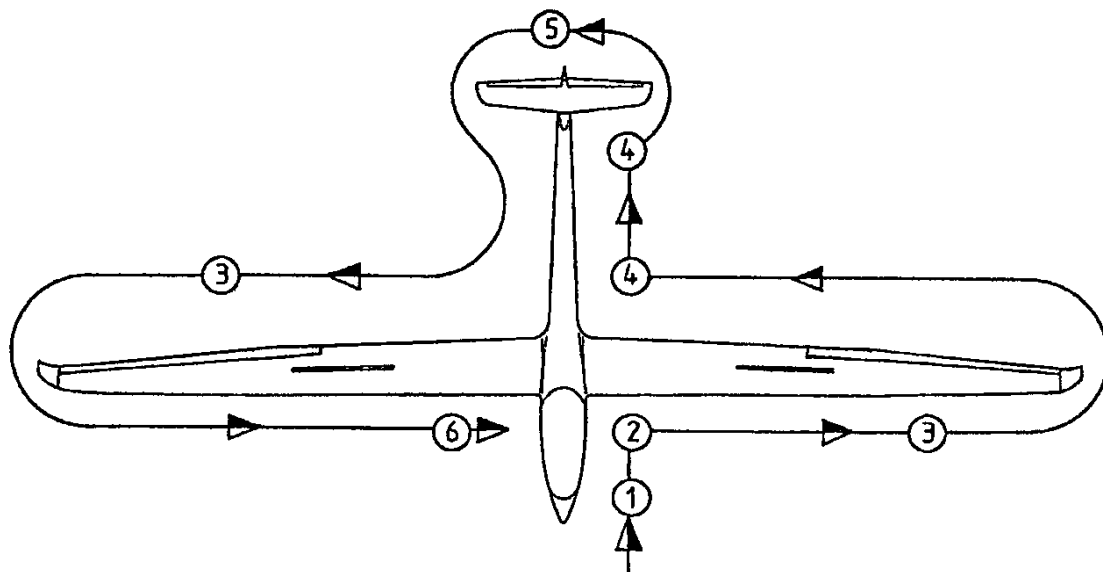
(3) Air brake system should be unlocked to avoid permanent pressure on flexible covers and resulting possible deformations (overcenter in wing).

**Warning:** With wings positioned vertical in trailers with hinged cover, the air brakes may open and be damaged when closing the lid.

**Note only LS8-a, LS8-18, LS8-b:** To avoid damage due to water, after de-rigging the water drain plug at the root rib forward edge should be removed and discharge openings on wing under side kept open for ventilation (use valve opener)

### 4.3 Daily Inspection

The Daily Inspection according to the following diagram and related checklist must be performed each day and is essential for flight safety.



#### 1 Forward Fuselage

- (a) Forward static pressure ports for clogging
- (b) Function of nose hook

#### 2 Landing Gear

- (a) Recommended tyre pressure main wheel  
4" wheel: 3 to 3.5 bar <44 to 51 psi>  
5" wheel (TN8020): 3.5 bar <51 psi>
- (b) **For 4" wheel only:** When using water ballast increase tyre pressure main wheel to 4 bar (58 psi)
- (c) Slip mark and tyre condition
- (d) C.G. hook manual and automatic operation working properly
- (e) Water drain orifices in front and behind landing gear box free from clogging

**Note:** If a 5" wheel is installed to a LS8-b this is a conversion to the variant LS8-sb and the "LS8-s and LS8-sb" flight manual is effective.

### 4.3 Daily Inspection continued

#### 3 Wings

- (a) Ventilation openings and water drain orifices at root free from clogging
- (b) Condition, gelcoat- or structural damage, pressure marks, cracks
- (c) Air brakes for proper function and locking
- (d) Friction damper at outer air brake edges and pads in air brake boxes free from grease, damper rod working properly

**Warning:** Grease at friction surfaces may result in oscillations during extension of air brakes.

- (e) Ailerons for unobstructed movement and free from play

**Caution only variant LS8:** The aileron may be damaged when pressing on the skin, so handle with care. Hold the ailerons for control checks only close to the drives, this area is reinforced.

- (f) Winglets installation for securing and free from play

#### 4 Fuselage

- (a) Condition, gelcoat- or structural damage, pressure marks, cracks, especially on lower side
- (b) Rear static ports at fuselage boom free from clogging
- (c) Recommended tail wheel pressure, if fitted, 2,5 to 3,5 bar (36 to 51 psi)  
Tailwheel pressure small tailwheel according to TN 8021, if installed:  
6,2 bar/90 psi
- (d) Water drain orifices in front of tail skid or tail wheel free from clogging
- (e) Tail skid, if fitted, for proper adhesion



### 4.3 Daily Inspection continued

#### 5 Tail unit

- (a) Condition, gelcoat- or structural damage, pressure marks, cracks
- (b) Total energy port at upper end of vertical tail fin leading edge free from clogging
- (c) Pitot pressure port below total energy port at vertical tail fin leading edge free from clogging
- (d) Charged vertical tail fin battery connected, when this battery location was chosen for trimming of pilot weight, see entries in section 6.2.
- (e) Check vertical tail tank valve for proper opening:
  - place tail tank filling adapter
  - open cockpit lever
  - if air cannot be blown into the tank, the valve is not functioning properly (for instance frozen solid or operating cable fractured)

**Warning:** Take off permitted only, when unintentional use of tail fin water ballast can be positively excluded or a battery is not unintentionally installed in the tail fin !

- (f) Amount of tail fin tank water ballast in correct relation to amount of wing water ballast and cockpit load
- (g) Horizontal tail fin: no pressure marks permitted in centre portion
- (h) Horizontal tail properly installed and free from play
- (i) Movement of tail control surfaces unobstructed and free from play
- (j) Condition of gap sealing: sealing strips should not protrude upward - danger of reduced control surface effectivity

### 4.3 Daily Inspection continued

#### 6 Cockpit

- (a) Canopy cleaned, if required
- (b) Check function of canopy locking and emergency jettison:
  - (1) "Pilot" in seat, both canopy locking levers opened.
  - (2) Helper at front canopy end to avoid lifting of canopy by gas spring, because this would unduly deform the spring of the temporary rear end hinge.
  - (3) After opening emergency release, the pilot pushes the rear end temporary hinge bolt free and lifts the canopy at opening levers, the helper holds the front end on the opener.
  - (4) With canopy fully open, the helper pushes the connecting pin upward and engages canopy to opener by turning driving lug anti-clockwise to stop.
- (c) Main pins properly secured.
- (d) Proper connection of air brake and aileron system:
  - with control stick in centre position, ailerons must be flush with trailing edges;
  - air brakes must lock properly.
- (e) Charged battery fixed in baggage compartment and connected, when this battery location was chosen for trimming of pilot weight, see entries in section 6.2.
- (f) Thermometer on seat below instrument panel for function:
  - indication of surrounding air temperature.
- (g) Check for non-existence of foreign matter

**Warning:** When parking, remember that under a certain sun angle from the rear into the opened canopy this may result in fire hazard due to convex lens effect.

#### **4.4 Pre-flight Check**

- (1) Daily inspection performed
- (2) Control system functions checked, using a helper
- (3) Vertical tail fin tank valve opening positively checked, see section 4.3 item 5 (e)
- (4) Water ballast system:
  - a) when filled, check for leaks
  - b) no leaks in wing system allowed to avoid unintentional rearward C.G. displacement due to tail fin tank
  - c) check proper dumping: tail fin system opens **with** wing system
- (5) Total energy tube fitted and connection properly sealed
- (6) Check weight and balance – especially Minimum- and Maximum Cockpit Loads, Trim Weights, Amount of tail fin tank water, Battery position.
- (7) Altimeter - adjusted
- (8) Check other instrumentation, normally indicating zero
- (9) Perform radio operational check
- (10) Adjust backrest and check locking
- (11) Adjust rudder pedals and check locking
- (12) Check paperwork (C of A, logbook etc.) complete and valid
- (13) Landing gear locking without play
- (14) Check wheel brake operation
- (15) Before take-off, perform Cockpit-Checklist procedure, see section 4.5.1

## 4.5 Normal Procedures

### 4.5.1 Cockpit-Checklist

#### **LS8xxx Checklist**

This sailplane must be operated in compliance with operating limitations stated in the form of markings, placards and EASA approved Flight Manual.

1. Main pins secured?
2. Elevator secured?
3. Winglets secured?
4. Check controls
5. Tail fin valve operation checked?
6. When using water ballast, then always in wing and tail!
7. Check loading conditions
8. Check tail dolly removed?
9. Fasten seat belt harness
10. Fasten parachute and connect parachute static line
11. Lock air brakes
12. Check trim position
13. Check release system
14. Lock canopy

xxx ist he designation of the variant e.g. -a

#### **4.5.2 Adjustment of Rudder Pedals**

- (a) Possible in flight or on the ground
- (b) Release pressure on pedals and unlock pawl by pulling black pedal handle
- (c) Forward adjustment:
  - (1) push pedals forward with feet
  - (2) lock into desired position
- (d) Rearward adjustment:
  - (1) Pull pedals with release handle
  - (2) lock into desired position

#### **4.5.3 Automatic parachute ripcord**

- (a) Attach to red main bulkhead portion at left rear of pilot
- (b) Use special loop only

#### **4.5.4 Adjustment of Backrest**

**Warning:** Adjust backrest in such way, that lower spine is well supported and not bent and lap belt can be adjusted tight.

Two possibilities of adjustment, both can be used on the ground only

- (a) Lower adjustment allows use of various types of parachute (locating pegs and slotted screw)
- (b) Upper end slope adjustment

During adjustment, watch out for the following:

- (c) Locking pin behind main bulkhead must be fully engaged
- (d) Position head as high as possible for good visibility
- (e) Tow hook handle and other controls must be within easy reach
- (f) Remember colour code at backrest support to allow for easy position identification of personal adjustment.

**Warning:** Moving aileron with stick fully back, the stick must not open the safety harness !

**Warning:** When the backrest is removed for huge pilots, then

- (1) the guide tube must also be removed (it may obstruct an emergency exit)
- (2) Additionally, an adjustable headrest according to drawing 3BR-101 must be installed.

#### **4.5.5 Retractable Landing Gear**

- (a) Extension or retraction permitted over whole approved speed range
- (b) Rapid operation eases retraction
- (c) Handle locked in forward position = gear up
- (d) Handle locked in rearward position = gear down

**Caution:** When using the C.G. hook, retract gear after releasing tow cable, because C.G. hook is fitted to landing gear fork.

#### **4.5.6 Wheel Brake**

Press rudder pedals with both feet to activate wheel brake.

**With TN8019 executed:** The wheel brake is actuated by the air brake handle, instead of by the rudder pedals.

#### **4.5.7 Trim System**

- (a) Trim lever and trim-locking lever are separate
- (b) Trim-locking lever is at control stick
- (c) Pull locking lever to free trim knob at left cockpit side
- (d) With the trim knob:
  - (1) Elevator stick force can be trimmed to zero
  - (2) Desired speed can be trimmed
  - (3) Release locking lever after trimming to fix trim setting
  - (4) Indication of trim setting shown by position of trim knob relative to neutral mark

**Warning:** Elevator trim system must not be used for compensation of minimum cockpit load deficiency. (see section 4.5.9)

#### **4.5.8 Baggage Compartment**

Baggage compartment should be used for soft and light materials which would not obstruct the pilot after deceleration or injure the pilot in crash landings. Maximum baggage 5 kg (11 lbs).

Baggage compartment load counts for useful load and must therefore be included, when checking loading conditions.

For permanent installation of batteries, barographs, ELT etc. see Maintenance Manual section 11.

#### **4.5.9 Balancing of Pilot Weight**

##### Balancing of pilots with insufficient weight

3 trim weights can be fitted to a threaded rod in front of rudder pedals and secured by knurled nut.

1 trim-weight of 2.45 kg <5.5 lbs> compensates 5 kg <11 lbs> of pilot weight

When **removing the tail fin battery** (Standard weight 2.5 to 2.7 kg <5.5 to 6 lbs>), Minimum Cockpit Load decreases by **10 kg <22 lbs>**, see section 6.2.

The cockpit provided Minimum Cockpit Load always relates to the conditions of the last C.G. weighing, see section 6.2 includes further details regarding Minimum Cockpit Load.

##### Balancing of heavy pilots, who want to fly with rearward C.G. positions

- (a) For 10 kg <22 lbs> of pilot weight above **Minimum Cockpit Load with empty tail fin tank** 2.6 litres <0.69 US gallons, 0.55 Imp. gallons> of water may be filled into the tail fin tank.
- (b) When using wing water ballast, this balancing method may be restricted due to amount of wing water used, see also section 4.5.10.5.
- (c) When discharging water ballast, this trim condition can not be kept due to quicker discharge of tail fin water ballast.
- (d) **When re-installing the battery (3BR-199, Standard weight 2.5 to 2.7 kg, <5.5 to 6 lbs>) in the tail fin, Minimum Cockpit Load increases by 10 kg <22 lbs>, see also entries in section 6.2.**

**Warning:** Item d) Re-installation is permissible only

- when the C.G. weighing included the tail battery in this position
- when it had been removed for trimming afterwards.

#### **4.5.10 Water Ballast**

- (a) Use clear water without any additives.
- (b) Increase tyre pressure to 4 bar < 58 psi>, when using full water ballast, not necessary with 5“ wheel (TN8020).
- (c) **LS8:** Wing water bags together hold about 150 Litres <39.6 US gallons, 33 Imp. gallons >, Optionally the wing water bags hold about 100 liters (26.4 US gallons, 22 Imp. gallons).  
**LS8-a, LS8-18, LS8-b:** Wing integral tanks together hold about 190 Litres <50.2 US gallons, 41.8 Imp. gallons >.
- (d) Maximum permissible water ballast depends on loading conditions, see section 4.5.10.4.
- (e) Wing tanks:  
**LS8:** one single ore double-tank and one single ore double-valve per wing, operated by pushrod at root rib simultaneously  
**LS8-a, LS8-18, LS8-b:** Two tanks per wing.
- (f) Vertical Tail Fin tank:  
**LS8: Tail tank 5.5 Litres <1.5 US gallons, 1.21 Imp. gallons> or optionally 3.8 - 4.1 Litres <1 -1.12 US gallons, 0.84 - 0.9 Imp. gallons>** with integrated tail fin battery, 1 cockpit water ballast lever operating all tanks simultaneously  
**LS8-a and LS8-18: Tail tank (3.8 to 5.5 Litres <1 to 1.5 US gallons, 0.84 to 1.21 Imp. gallons>),** 2 cockpit water ballast levers: the short one opens the inner wing tanks only, both levers open both tanks; the tail tanks always opens during operation of one of these levers.  
or **Tail integral tank (12 Litres <3.2 US gallons, 2.64 Imp. gallons>)** has 1 cockpit water ballast lever operating all tanks simultaneously.  
**LS8-b: Tail integral tank 7.5 Litres <1.98 US gallons, 1.65 Imp. gallons>),** 1 cockpit water ballast lever operating all tanks simultaneously.

**Caution only LS8-a, LS8-18, LS8-b:** When using water ballast, always fill outer wing tanks first, thereafter fill inner tanks with the remaining amount. Outer tanks each carry about 30 Litres <7.9 US gallons, 6.6 Imp. gallons>, inner tanks each carry about 65 Litres <17.2 US gallons, 14.3 Imp. gallons>.

- (g) Use as clean water as possible to avoid damage of sealing rings by foreign matter.
- (h) **Filling sequence:** always tail tank first, then wing tanks.

**Warning:** Wing water ballast always must be compensated by tail tank water according to table in section 4.5.10.5.



#### **4.5.10.1 Vertical Tail Fin Tank Loading Procedure**

- (a) **LS8:** Open dump valves by shifting lever on right cockpit side rearward.  
**LS8-a, LS8-18, LS8-b:** Open dump valves by shifting lever on right cockpit side forward.
- (b) Insert tail fin tank adapter to filling funnel tube and connect to dumping outlet just inside lower right rudder cut-out, with rudder deflected to the left.
- (c) Fill tail fin tank via funnel in relation to intended wing water amount, see table section 4.5.10.5.
- (d) Tail tank filling markings are at the fin in the area of the rudder sealing. **1 Marking correspond to 0.5 Litres <0.13 US gallons, 0.11 Imp. gallons> steps, equivalent to 0.5 kg <1.1 lbs>.**
- (e) Use water level in funnel tube relative to markings on inside of translucent right rudder gap seal to determine correct amount in relation to wing amount. Specified amount of water must be verified thus:
  - 1. Wings level
  - 2. Landing gear and tail end on ground
  - 3. Filling tube near markings
- (f) Upper red marking corresponds to maximum amount of tail fin water ballast:  
**LS8:** 5,5 Litres <1.45 US gallons, 1.21 Imp. gallons> or 3,8 to 4,1 Litres <1.00 to 1.08 US gal., 0.84 to 0.9 Imp.gal.> for the combination of tail fin tank with tail fin battery box  
**LS8-a and LS8-18:** 5,5 Litres <1.45 US gallons, 1.21 Imp. gallons> or 3,8 to 4,1 Litres <1.00 to 1.08 US gal., 0.84 to 0.9 Imp.gal.> for the combination of tail fin tank with tail fin battery box  
or 12 Litres <3.17 US gal., 2.64 Imp. gal.> for the integral tail fin tank  
**LS8-b:** 7.5 Litres <1.98 US gal., 1.65 Imp. gal.> for the integral tail fin tank.
- (g) For trimming of heavy pilots, the **combination of battery and/or water can be chosen**, see also entries in section 6.2.
- (h) Close dump valves by shifting cockpit lever backward and remove funnel from tail. For filling of wing tanks, the cockpit lever must stay in the closed position.

**Warning:** Mandatory tail tank filling always exactly to markings under right rudder seal and filling tube water level in correct relation to total wing water amount according to table in section 4.5.10.5. Otherwise, keeping to the maximum approved rear C.G. position cannot be guaranteed.

**Warning:** Filling funnel meshing is mandatory to guarantee tail fin tank valve function.

#### 4.5.10.2 Wing Tank Loading Procedure (after filling of tail tank)

##### A LS8:

- (a) open left wing valve through baggage compartment using knurled nut: turn 10 turns counterclockwise.
- (b) suck residual air from left water bag use connection hose through dump orifice on under side of wing close dump valve before terminating sucking, to avoid air entering into bags again

**Warning:** residual air may create undue pressure during high altitude flights above 3000 m (10000 ft)

- (c) lay left wing down for filling. Connect funnel filled with water to dump orifice on under side of left wing and and open valve again, to avoid entry of unwanted air. Fill half of desired total amount of water into wing using funnel.
- (d) For maximum approved amount of wing water ballast see table in section 4.5.10.4.

**Warning:** Never fill wing with pressure from water pipe or from pump. Due to restricted ventilation cross section the wing shell cannot withstand the pressure increase. Therefore, always fill water using only the funnel!

- (f) with left wing filled, close valve by turning knurled nut through baggage compartment clockwise to stop.
- (g) to open right wing valve through baggage compartment use knurled nut. turn 10 turns counterclockwise
- (h) after sucking residual air out of bag let a helper keep the wing tip on the ground and fill the same amount as in left wing.
- (i) close right wing valve through baggage compartment with knurled nut. turn clockwise against stop after sucking residual air out of bag let a helper keep the wing tip on the ground and fill the same amount as in left wing.

**Warning:** When amount of water ballast in wings is not equal, this may favour ground loop tendencies during take off.

- (j) **After filling ballast and before take-off the following must be checked:**
  - (1) Not even minor leaks at wing system allowed.
  - (2) Tail tank valve opens **simultaneously with** or **before** wing valves.

**Warning:** Check proper dumping, tail fin system must start dumping together with wing system to avoid C.G. shifting backwards.

See also section 3.7.3 for freezing / icing.

#### **4.5.10.2 Wing Tank Loading Procedure (after filling of tail tank) continued**

##### **B LS8-a, LS8-18, LS8-b:**

- (a) Always place sailplane horizontal and fill outer tank first.
- (b) Connect small diameter wing tank adapter to filling funnel, use it to open outer tank valve and brace taper into opening.
- (c) Fill half of desired total amount of water into wing via funnel.
- (d) For maximum approved amount of wing water ballast see table in section 4.5.10.4.

**Warning:** Never fill wing with pressure from water pipe or from pump. Due to restricted ventilation cross section the wing shell cannot withstand the pressure increase. Therefore, always fill water using only the funnel!

- (f) When the outer integral tank is full, fill the inner tank with the rest of the desired amount using the same procedure after connecting the large adapter to the funnel and bracing the adapter by turning.
- (g) With wing tanks full, water leaks from the following position: for both inner and outer tanks at the under side root rib draining orifice in front of the spar.
- (h) Use as clean water as possible to ensure proper valve sealing and avoid clogging of overflow pipes and draining orifices.
- (i) Fill the other wing as outlined above.

**Warning:** When amount of water ballast in wings is not equal, this may favour ground loop tendencies during take off.

**Only with some LS8-a:** With winglet ventilation (see section 7.5.1 LS8-a), always keep sailplane horizontal after filling of water ballast to avoid water spilling over through ventilation.

- (j) **After filling ballast and before take-off the following must be checked:**
  - (3) Not even minor leaks at wing system allowed.
  - (4) Tail tank valve opens **simultaneously with** or **before** wing valves.

**Warning:** Check proper dumping, tail fin system must start dumping together with wing system to avoid C.G. shifting backwards.

See also section 3.7.3 for freezing / icing.



#### 4.5.10.4 Maximum Wing Water Ballast

Cockpit Load (Pilot + Parachute + equipment) <i>[kg]</i>	Empty Mass <i>[kg]</i>									
	250	255	260	265	270	275	280	285	290	295
70	<b>190</b>	<b>190</b>	<b>187</b>	<b>183</b>	<b>178</b>	<b>173</b>	<b>168</b>	<b>163</b>	<b>159</b>	<b>154</b>
75	<b>190</b>	<b>187</b>	<b>183</b>	<b>178</b>	<b>173</b>	<b>168</b>	<b>163</b>	<b>159</b>	<b>154</b>	<b>149</b>
80	<b>187</b>	<b>183</b>	<b>178</b>	<b>173</b>	<b>168</b>	<b>163</b>	<b>159</b>	<b>154</b>	<b>149</b>	<b>144</b>
85	<b>183</b>	<b>178</b>	<b>173</b>	<b>168</b>	<b>163</b>	<b>159</b>	<b>154</b>	<b>149</b>	<b>144</b>	<b>139</b>
90	<b>178</b>	<b>173</b>	<b>168</b>	<b>163</b>	<b>159</b>	<b>154</b>	<b>149</b>	<b>144</b>	<b>139</b>	<b>135</b>
95	<b>173</b>	<b>168</b>	<b>163</b>	<b>159</b>	<b>154</b>	<b>149</b>	<b>144</b>	<b>139</b>	<b>135</b>	<b>130</b>
100	<b>168</b>	<b>163</b>	<b>159</b>	<b>154</b>	<b>149</b>	<b>144</b>	<b>139</b>	<b>135</b>	<b>130</b>	<b>125</b>
105	<b>163</b>	<b>159</b>	<b>154</b>	<b>149</b>	<b>144</b>	<b>139</b>	<b>135</b>	<b>130</b>	<b>125</b>	<b>120</b>
110	<b>159</b>	<b>154</b>	<b>149</b>	<b>144</b>	<b>139</b>	<b>135</b>	<b>130</b>	<b>125</b>	<b>120</b>	<b>115</b>

Cockpit Load (Pilot + parachute + equipment) <i>[lbs]</i>	Empty Mass <i>[lbs]</i>									
	551	562	573	584	595	606	617	628	639	650
154	<b>419</b>	<b>419</b>	<b>412</b>	<b>403</b>	<b>392</b>	<b>381</b>	<b>370</b>	<b>359</b>	<b>351</b>	<b>340</b>
165	<b>419</b>	<b>412</b>	<b>403</b>	<b>392</b>	<b>381</b>	<b>370</b>	<b>359</b>	<b>351</b>	<b>340</b>	<b>328</b>
176	<b>412</b>	<b>403</b>	<b>392</b>	<b>381</b>	<b>370</b>	<b>359</b>	<b>351</b>	<b>340</b>	<b>328</b>	<b>317</b>
187	<b>403</b>	<b>392</b>	<b>381</b>	<b>370</b>	<b>359</b>	<b>351</b>	<b>340</b>	<b>328</b>	<b>317</b>	<b>306</b>
198	<b>392</b>	<b>381</b>	<b>370</b>	<b>359</b>	<b>351</b>	<b>340</b>	<b>328</b>	<b>317</b>	<b>306</b>	<b>298</b>
209	<b>381</b>	<b>370</b>	<b>359</b>	<b>351</b>	<b>340</b>	<b>328</b>	<b>317</b>	<b>306</b>	<b>298</b>	<b>287</b>
220	<b>370</b>	<b>359</b>	<b>351</b>	<b>340</b>	<b>328</b>	<b>317</b>	<b>306</b>	<b>298</b>	<b>287</b>	<b>276</b>
231	<b>359</b>	<b>351</b>	<b>340</b>	<b>328</b>	<b>317</b>	<b>306</b>	<b>298</b>	<b>287</b>	<b>276</b>	<b>265</b>
242	<b>351</b>	<b>340</b>	<b>328</b>	<b>317</b>	<b>306</b>	<b>298</b>	<b>287</b>	<b>276</b>	<b>265</b>	<b>254</b>

**Warning:** Wing water ballast must always be compensated with tail fin water ballast according to tables in section 4.5.10.5.

**Note:** The values in italic letters can't be reached with variant LS8.

#### 4.5.10.5 Maximum Tail Fin Water Ballast

Maximum capacities for all variants see section 4.5.10.3.

Wing-Water Mass	Specified Tail tank-Water Mass	Total-Water-Mass
<i>[kg]</i>	<i>[kg]</i>	<i>[kg]</i>
25.0 -37.0	1.0	26-38
37.5 -49.5	1.5	39-51
50.0 -62.0	2.0	52-64
62.5 -74.5	2.5	65-77
75.0 -87.0	3.0	78-90
87.5 -99.5	3.5	91-103
100.0 -112.0	4.0	104-116
112.5 -124.5	4.5	117-129
125.0 -137.0	5.0	130-142
137.5 -149.5	5.5	143-155
150.0 -162.0	6.0	156-168
162.5 -174.5	6.5	169-181
175.0 -187.0	7.0	182-194
187.5 -190.0	7.5	195-197.5

Remaining volume of tail tank can be used for trimming of heavy pilots as follows:

For **10 kg** of pilot mass over value of **Minimum Cockpit Load for empty tail tank** a **maximum of 2.6** Litres of water may be filled additionally.

Removing the tail fin battery (3BR-199) decreases Minimum Cockpit Load by 10 kg, see section 6.2. (see further directions see section 4.5.9)

Wing-Water Mass	Specified Tail tank-Water Mass	Total-Water-Mass
<i>[lbs]</i>	<i>[lbs]</i>	<i>[lbs]</i>
55.1 - 81.6	2.2	57.3- 83.8
82.7 -109.1	3.3	86.0-112.4
110.2 -136.7	4.4	114.6-141.1
137.8 -164.2	5.5	143.3-169.8
165.3 -191.8	6.6	172.0-198.4
192.9 -219.4	7.7	200.6-227.1
220.5 -246.9	8.8	229.3-255.7
248.0 -274.5	9.9	257.9-284.4
275.6 -302.0	11.0	286.6-313.0
303.1 -329.6	12.1	315.3-341.7
330.7 -357.1	13.2	343.9-370.3
358.3 -384.7	14.3	372.6-399.0
385.8 -412.3	15.4	401.2-427.7
413.4 -418.9	16.5	429.9-435.4

Remaining volume of tail tank can be used for trimming of heavy pilots as follows:

For **22 lbs** of pilot mass over value of **Minimum Cockpit Load for empty tail tank** a **maximum of 0.69** US gallons, 0.55 Imp. gal.; 5.7 lbs of water may be filled additionally.

Removing the tail fin battery (3BR-199) decreases Minimum Cockpit Load by 22 lbs, see section 6.2. (see further directions see section 4.5.9)

**Warning:** See also Inadvertent Freezing / Icing, section 3.7.3

#### **4.5.10.6 Dumping of Water Ballast**

##### **LS8**

- (a) open valve by shifting lever backwards.
- (b) 10 liters (2.6 US gallons, 2.2 Imp. gallons) will be dumped in approx. 6 to 7 seconds:
  - (1) If aileron stick force is required to maintain level flight after about 3 minutes of dumping, this may indicate unequal dumping. Such **asymmetry** must be counteracted by leaving dump valves open long enough, if necessary until after landing.
  - (2) To avoid ground looping in case of unequal dumping, apply aileron in the direction as noticed before shortly after touchdown.

##### **LS8-a, LS8-18, LS8-b:**

- (a) Ballast lever forward = All ballast tanks open.
- (b) Discharge time about 3 Minutes, i.e. at 190 Litres <50.2 US gallons, 41.8 Imp. gallons> approx. 63 Litres <16.6 US gallons, 13.9 Imp. gallons> per minute:
  - (1) If aileron stick force is required to maintain level flight after about 3 minutes of dumping, this may indicate unequal dumping. Such **asymmetry** must be counteracted by leaving dump valves open long enough, if necessary until after landing.
  - (2) Open valves emit a buzzing sound when tank is empty.
  - (3) To avoid ground looping in case of unequal dumping, apply aileron in the direction as noticed before shortly after touchdown.

**Warning:** Check thermometer regularly during flight. Dump water at +5° Centigrade <41°F>; ballast water in wing shell and tail tank should never freeze solid. (See also section 3.7.3).

#### **4.5.11 Winch Launch or Auto Tow**

- (a) Trim slightly nose heavy: Trim position indicator in front of neutral-mark.
- (b) Adjust backrest properly (See section 4.11) and tighten seat belt harness to avoid sliding backwards during acceleration and steep climb.
- (c) Ask winch operator to avoid too high acceleration.  
The higher the initial acceleration, the higher the pitch-up tendency.
- (d) Use wheel brake during tightening of tow cable to avoid rolling over cable.

**With TN8019 executed:** It's not recommended to use the wheel brake during tightening of tow cable.

- (e) Pronounced forward stick pressure is required during transition arc.
- (f) **Minimum tow speed:**  
without water ballast 90 km/h <49 kt., 56 mph>  
with water ballast 100 km/h <54 kt., 62 mph>
- (g) Retract landing gear **after** tow, because C.G. hook is fitted to landing gear fork.

#### **4.5.12 Aero Tow**

- (a) Aero tow must be performed at the nose hook.
- (b) Trim slightly nose heavy: Trim position indicator in front of neutral mark.
- (c) Use wheel brake during tightening of tow cable to avoid rolling over rope.  
**With TN8019 executed:** It's not recommended to use the wheel brake during tightening of tow rope.
- (d) **Minimum Tow Speed:**  
without water ballast 100 km/h <54 kt., 62 mph>  
with water ballast 120 km/h <65 kt., 74 mph>
- (e) Recommended tow cable length: 30 - 80 m <100 – 260 ft>

**Warning:** The C.G. hook is not approved for aero tow.



#### 4.5.13 Free Flight

- Stalling speed (IAS) for straight and level flight and air brakes retracted:  
**15m <49 ft> wing span:**  
Without water ballast: **68-70** km/h <37-38 kt., 42-43 mph>  
With maximum water: **82-84** km/h <44-45 kt., 51-52 mph>  
**18m <59 ft> wing span:**  
Without water ballast: **65-67** km/h <35-36 kt., 40-42 mph>  
With maximum water: **79-81** km/h <43-44 kt., 49-50 mph>
- Circling flight: (Thermalling) Trim stick forces to zero.
- Best Glide Angle: between 95 to 105 km/h <51 to 57 kt., 59 to 65 mph>
- High speed flight: Reduce stick forces by trimming. Avoid abrupt manoeuvres and check speed indication regularly to avoid exceeding limit values.

**Warning:** Observe air speed limits versus altitude (see section 2.2)

**Warning only variant LS8:** When flying with empty water tanks, leave dump valve in "Open" position to avoid pressure built up inside tanks at altitude.

**Warning:** In emergencies, air brakes can be extended up to VNE = 280 km/h <151 kt., 174 mph>;

Extend air brakes cautiously, because in this speed range air brakes are being sucked out suddenly, causing short time negative acceleration and may initiate pilot induced oscillations (P.I.O.).

**Warning:** Check thermometer, when using water ballast, regularly during flight. When temperature is decreasing, dump water at least at +5° Centigrade <41° F> to ensure proper dumping and avoid structural damage at wing shell and vertical tail fin shell (Integral tanks).

**4.5.14 High Altitude Flight**

Increasing altitude yields higher true airspeed than indicated airspeed and this difference increases with increasing altitude.

This does not influence loads on the structure, which means that colour markings on airspeed indicator are valid unless limited by red lines.

However, as flutter depends on true airspeed and flutter flight tests yielded no flutter tendencies below 280 km/h up to 2000 m above MSL, the indicated airspeed should never be above 280 km/h IAS <151 kt., 174 mph> up to 2000 m <6500 ft> above MSL.

Using the table in section 2.2, maximum permissible airspeeds related to altitude, the pilot is able to avoid flying faster than true airspeed of 280 km/h 151 kt., 174 mph>.

Example: Indicated airspeed of 227 km/h <122 kt., 141 mph> at 6000 m <19700 ft> altitude above MSL corresponds to 280 km/h <151 kt., 174 mph> true airspeed.

Values according to section 2.2:

Altitude above MSL	2000 m	3000 m	4000 m	6000 m	8000 m	10000 m	12000 m
	<b>6500 ft</b>	<b>9800 ft</b>	<b>13100 ft</b>	<b>19700 ft</b>	<b>26200 ft</b>	<b>32800 ft</b>	<b>39400 ft</b>
Max.permissible Speed	280 km/h	266 km/h	253 km/h	227 km/h	202 km/h	179 km/h	156 km/h
	<b>151 kts</b>	<b>144 kts</b>	<b>137 kts</b>	<b>122 kts</b>	<b>109 kts</b>	<b>97 kts</b>	<b>84 kts</b>
	174 mph	165 mph	157 mph	141 mph	126 mph	111 mph	97 mph

#### **4.5.15 Side-slip**

- (1) Side-slip can be recommended for landing only with a small amount of air brake extension, as low-speed side-slip is not possible because of nose-heavy moment of fully extended air brakes.
- (2) Side-slip speed range up to  $V_A = 190 \text{ km/h}$  <103 kt., 118 mph>
- (3) For a straight and steady side slip 100 % rudder and between 50% to 75% aileron deflection are necessary. During side-slip, rudder control force decreases to almost zero force.
- (4) Degradation in airspeed system goes down to zero airspeed indication. Depending on airspeed indicator, negative values may be indicated.

Pressure pick-ups: Vertical tail fin **pitot pressure**

Forward fuselage **lower side static pressure**

- (5) Partial water ballast yields unimportant difference in side-slip handling.

#### **4.5.16 Landing**

- (a) Water ballast should normally be dumped prior to landing. Because of possible unequal dumping leave valves open, see also section 3.7.4.

***Warning: To comply with airworthiness regulations, for the 15 m <49 ft> version and maximum all-up weight (525 kg, 1157 lbs) water should be discharged before landing at least for 25 seconds.***

- (b) Extend landing gear in time and lock (right hand gear handle).  
(c) Landing with gear retracted not advisable, because pilot is much better protected by the sprung landing gear compared to the fuselage shell.  
(d) Air brakes allow control of glide angle within wide limits, therefore side-slipping is not necessary.

***Warning: Minimum approach speed with air brakes fully extended:  
Without water ballast not below 90 km/h <49 kt., 56 mph>.  
With water ballast not below 100 km/h <54 kt., 62 mph>.***

***Warning: Minimum speed increases  
With air brakes extended by about 10 km/h <5 kt., 6 mph>.  
In rain and with air brakes extended by about 20 km/h <11 kt., 12 mph>.***

***Warning: Side-slip with air brakes extended is not recommended for landing, because nose heavy moment of air brakes allows no slow side-slip.***

#### 4.5.17 Flight in Rain

**Warning:** *During rain expect considerable decrease of performance and effectivity of controls. Increase approach to landing speed at least by 10 km/h <5 kt., 6 mph>, because stall speed increases and effectivity of controls decreases.*

Open canopy window to increase visibility.

#### 4.5.18 Flight in the Vicinity of Thunderstorms

**Warning:** *Carbon fibre structures have been repeatedly destroyed due to lightning stroke. Therefore avoid flight and especially winch-launch in the vicinity of thunderstorms, as carbon fibres are used in important structures of the LS 8-b sailplane.*

#### 4.6 Postflight Checks

1. Switch off electrical instruments
2. Remove battery and charge, when necessary
3. Remove insects and dust using chamois leather (See also section 8, Cleaning and Care)
4. Check if moisture has accumulated in air brake boxes and remove with sponge
5. **Only LS8-a, LS8-18, LS8-b:** Check proper emptying of integral tanks (when disassembled and with wings vertical, drain residual water via root rib draining valve)  
<Grease root rib drain valve plunger using Vaseline and re-insert before assembly!>
6. Check proper dumping of tail fin water tank.
7. Keep all water valves open for ventilation of wing water tanks and tail fin water tank.
8. Unlock wing air brake system.

For cleaning and care, see section 8.5.

## **5 Performance**

### Contents of **Section 5**:

5.1 Introduction .....	5-1
5.2 Approved Data .....	5-2
5.2.1 Airspeed Indicator System Calibration .....	5-2
5.2.2 Stalling Speeds .....	5-3
5.3 Additional Information .....	5-3
5.3.1 Demonstrated Crosswind Performance .....	5-3
5.3.2 Flight Polar .....	5-4

### **5.1 Introduction**

Section 5 provides approved data for airspeed calibration and stalling speeds and additional unapproved information.

Data in the charts has been computed from actual flight tests with the sailplane in good condition and using average piloting techniques.

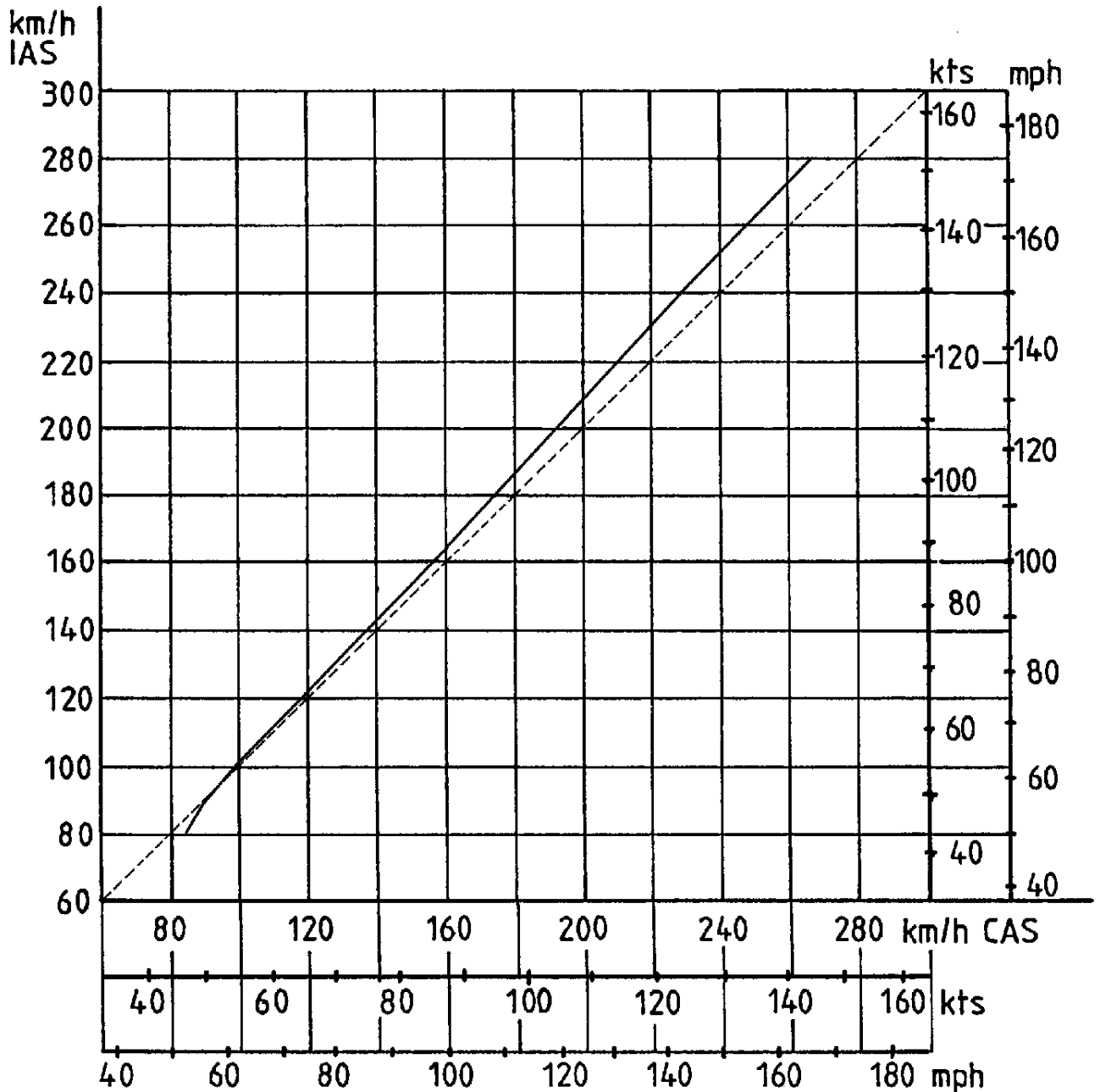
## 5.2 Approved Data

### 5.2.1 Airspeed Indicator System Calibration

The diagram shows airspeed indicator error due to position of pressure ports:

Pitot pressure..... at vertical tail fin about 3/4 up

Static pressure..... at lower forward fuselage sides



**5.2.2 Stalling Speeds**

Stalling speeds (IAS) for straight and level flight:

Wing span	15 m <49 ft>	18 m <59 ft>
Without water ballast at 384 kg <847 lbs> mass	69 km/h 37 kt., 43 mph	66 km/h 36 kt., 41 mph
With maximum water ballast at maximum take-off mass 525 kg <1157 lbs>	83 km/h 45 kt., 52 mph	80 km/h 43 kt., 50 mph
Air brakes extended at 384 kg <847 lbs> mass	73 km/h 39 kt., 45 mph	71 km/h 38 kt., 44 mph
Air brakes extended with maximum take-off mass 525 kg <1157 lbs>	87 km/h 47 kt., 54 mph	85 km/h 46 kt., 53 mph

**5.3 Additional Information**

**5.3.1 Demonstrated Crosswind Performance**

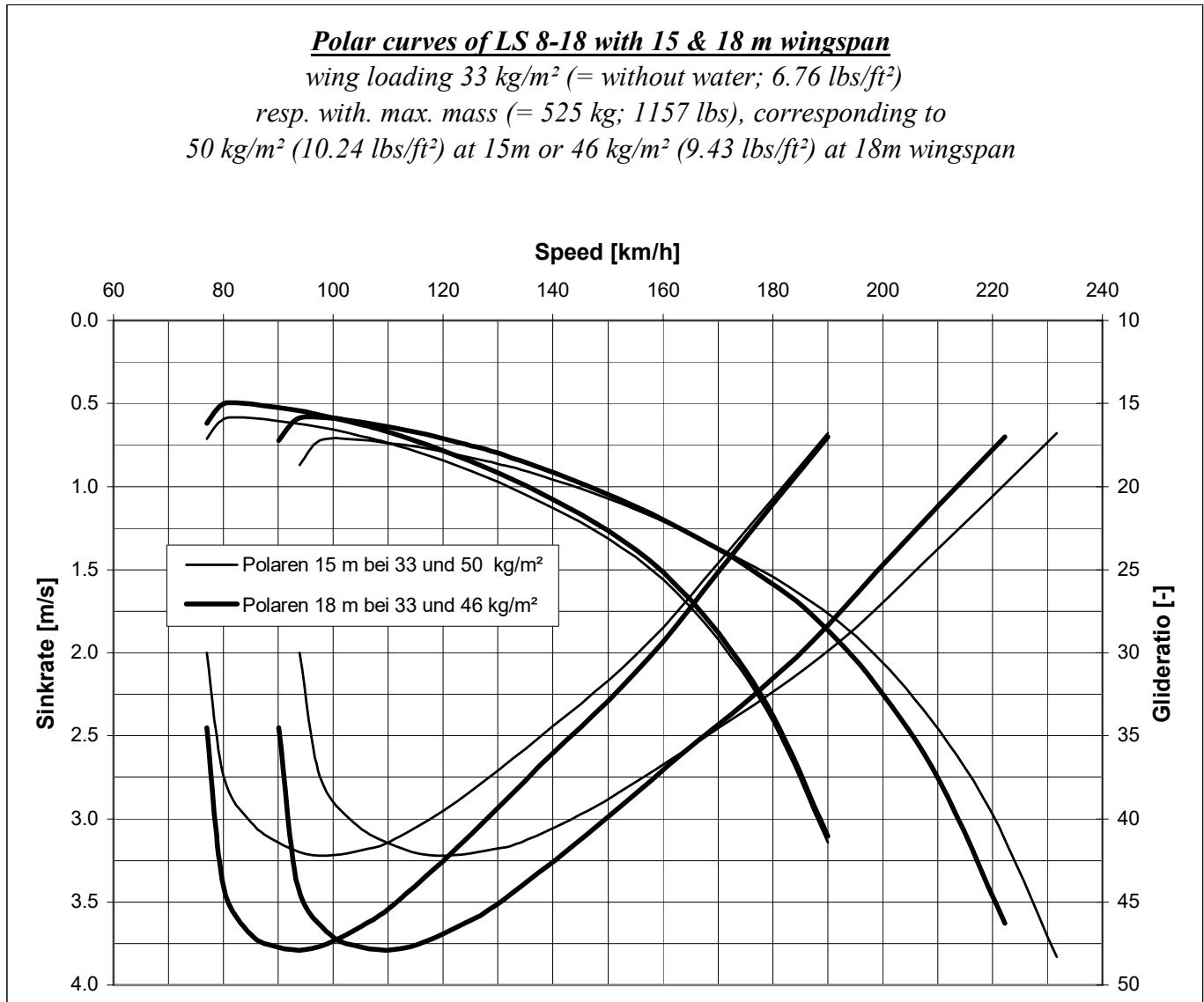
Aero Tow: .....20 km/h <11 kt., 12 mph>

Winch Launch: .....30 km/h <16 kt., 19 mph>



### 5.3.2 Flight Polar

The *flight polar* gives forward versus sinking speed. It is valid for “clean” wing.



Insects and raindrops on wing decrease performance and handling, see also section 4.5.16, Landing.

*Conversion table for Airspeed and Sink Rate:*

km h	60	80	100	120	140	160	180	200	220	240
mp h	37	50	62	75	87	99	112	124	137	149
kts	32	43	54	65	76	86	97	108	119	129
m/s	0.5	1.0	1.5	2.0	2.5	3.0	3.5	4.0		
kts	1	2	3	4	5	6	7	8		

## **6 Weight and Balance**

Contents of **Section 6**:

6 Weight and Balance.....	6-1
6.1 Introduction .....	6-1
6.2 Weighing Record and Loading Limits.....	6-2 and 6-3
6.3 Inflight C.G. calculation.....	6-4

### **6.1 Introduction**

This section gives details about permissible Cockpit Loading and approved mass limitations of **this** sailplane.

Complying with these procedures, the pilot is able to load the sailplane properly without any additional calculations due to loading limits placarded in the cockpit and provided in this manual in section 6.2.

The procedures for establishing the basic empty mass, mass of non-lifting parts, centre of gravity and loading limits is given in Maintenance Manual section 2.

In addition, section 6.3 lists guiding values for modification of Minimum Cockpit Load, as well as data for exact C.G. calculation.

## 6.2 Weighing Record and Loading Limits

**Warning:** New entry with each new weighing or when changing equipment. Entry should be calculated in accordance with section 2 of Maintenance Manual. Mark dimensions used. State amount of permanently fitted ballast in appropriate position or none.

**Serial Number:** \_\_\_\_\_.

	Wing span	[m]	15	18	15	18	15	18	15	18
	Empty Weight	[kg / lbs]								
	C.G. position	[mm / in]								
	Max. Cockpit Load	[kg / lbs]								
<b>Minimum Cockpit Load</b>	With tail battery	Tail tank full	[kg / lbs]							
		Tail tank empty *	[kg / lbs]							
	Without tail battery	Tail tank full	[kg / lbs]							
		Tail tank empty *	[kg / lbs]							
	Fixed trim ballast	front	[kg / lbs]							
		rear	[kg / lbs]	--						
	Batteries installed	Seat front end	[number]							
		Baggage Comp.	[number]							
		Vertical tail fin	[number]							
Date / Inspector										

\* These Minimum Cockpit Load values may only be used, when the pilot can positively exclude unintentional use of tail fin water and tail fin battery, i.e. he has checked proper valve opening by use of tubing and blowing through valve and visually checked, that no tail fin battery is installed by removing horizontal tail and re-installing.

**6.2 Weighing Record and Loading Limits** continued to enter for further weighings

**Warning:** New entry with each new weighing or when changing equipment. Entry should be calculated in accordance with section 2 of Maintenance Manual. Mark dimensions used. State amount of permanently fitted ballast in appropriate position or none.

**Serial Number:** \_\_\_\_\_.

	Wing span	[m]	15	18	15	18	15	18	15	18
	Empty Weight	[kg / lbs]								
	C.G. position	[mm / in]								
	Max. Cockpit Load	[kg / lbs]								
<b>Minimum Cockpit Load</b>	With tail battery	Tail tank full	[kg / lbs]							
		Tail tank empty *	[kg / lbs]							
	Without tail battery	Tail tank full	[kg / lbs]							
		Tail tank empty *	[kg / lbs]							
Fixed trim ballast	front	[kg / lbs]								
	rear	[kg / lbs]	--							
Batteries installed	Seat front end	[number]								
	Baggage Comp.	[number]								
	Vertical tail fin	[number]								
Date / Inspector										

\* These Minimum Cockpit Load values may only be used, when the pilot can positively exclude unintentional use of tail fin water and tail fin battery, i.e. he has checked proper valve opening by use of tubing and blowing through valve and visually checked, that no tail fin battery is installed by removing horizontal tail and re-installing.

### 6.3 Inflight C.G. Calculation

Table of C.G. positions of various items of equipment:

Component	Mass	Leverage related to BP
Battery at seat front end	2.5 –2.7 kg 5.5 –6.0 lbs	-1060 mm-41.732 in
Battery in Baggage Comp.	2.5 –3.0 kg 5.5 –6.6 lbs	150 mm 5.906 in
Battery in vertical tail fin	2.5 –2.7 kg 5.5 –6.0 lbs	4430 mm174.409 in
Water in tail tank	up to 7.5 kg up to 16.5 lbs	4230 mm166.535 in
Trim weight in front holder	2.4 – 2.5 kg 5.3 –5.5 lbs	-1650 mm-64.961 in

Simplified variation of Minimum Cockpit Load possible by use of the following values:

Installation of 1 trim ballast weight (2.5 kg, 5.5 lbs) in front holder.....  
 .....**reduces** Minimum Cockpit Load by **5 kg / 11 lbs**

Installation of 1 Battery (2.5 kg, 5.5 lbs) at the seat front end.....  
 .....**reduces** Minimum Cockpit Load by **4 kg / 8.8 lbs**

Removal of tail fin battery (2.5 -2.7 kg, 5.5 –6.0 lbs).....  
 .....**reduces** Minimum Cockpit Load by **10 kg / 22 lbs**

Filling of 2.6 Litre of water (2.6 kg, 5.7 lbs) additionally into the tail tank... ..  
 ..... **increases** Minimum Cockpit Load by **10 kg / 22 lbs**

***Warning: Values for simplified variation of Minimum Cockpit Load are related to the equipment conditions during the last C.G. weighing.***

***Entries in section 6.2 refer to this basic condition.***

***Caution: Simplified variation values are always on the safe (nose heavy) side. For more exact calculation use provided lever arms.***

## **7 Description of Systems**

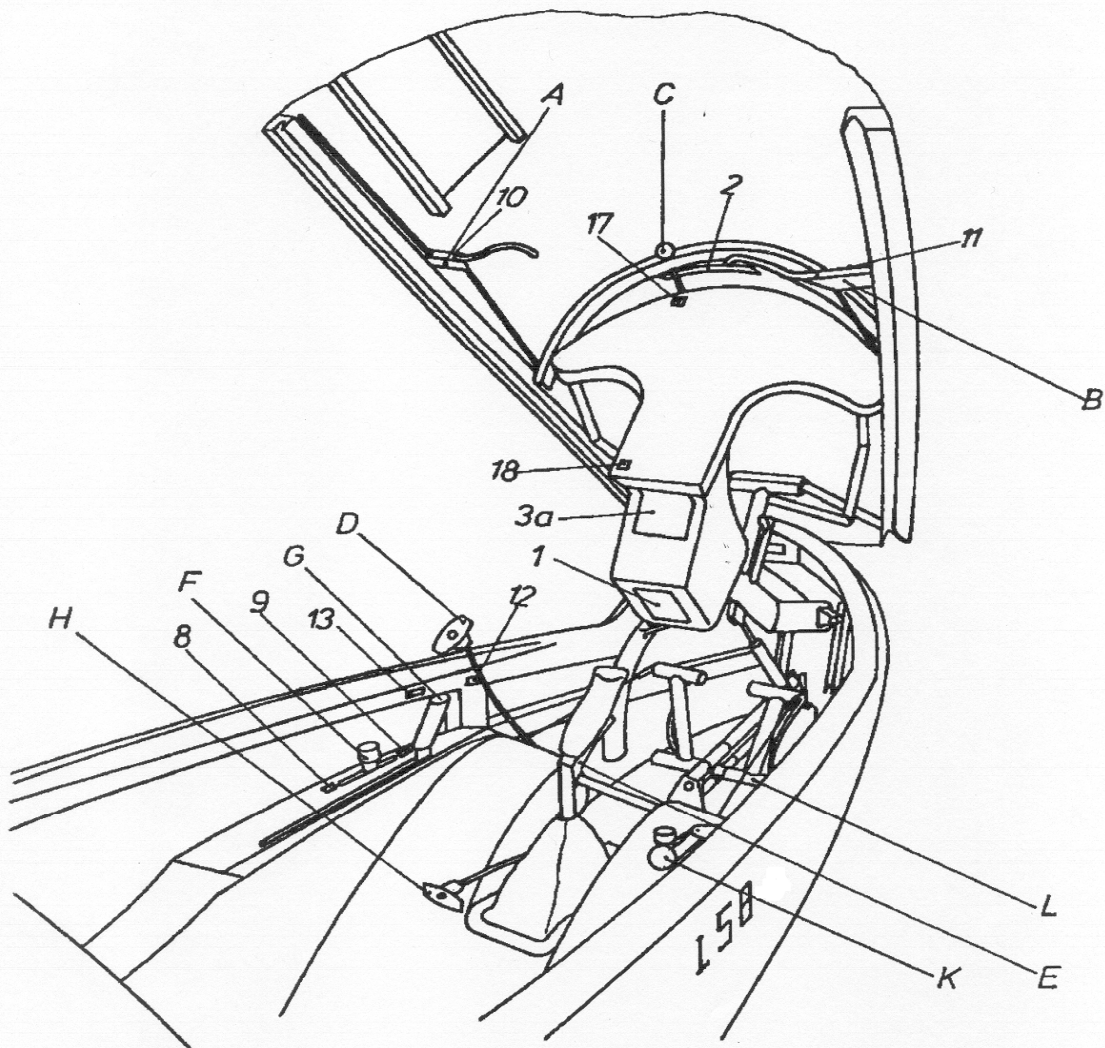
### Contents of **Section 7**:

7 Systems.....	7-1
7.1 Introduction .....	7-1
7.2 Cockpit Controls.....	7-2
7.3 Air Brake System .....	7-4
7.4 Baggage Compartment.....	7-4
7.5 Water Ballast System and Operation .....	7-5
7.5.1 Wing Water Ballast System .....	7-5
7.5.2 Fuselage Water Ballast System.....	7-7
7.6 Electrical System and Operation.....	7-9
7.7 Pneumatic System .....	7-10
7.8 Various Equipment.....	7-11
7.8.1 Expendable Ballast (Trim Weights).....	7-11
7.8.2 Oxygen System.....	7-11
7.8.3 Emergency Locator Transmitter.....	7-11

### **7.1 Introduction**

This section provides description of the sailplanes operating systems, instrumentation and other information necessary for the safe operation of the sailplane and its systems.

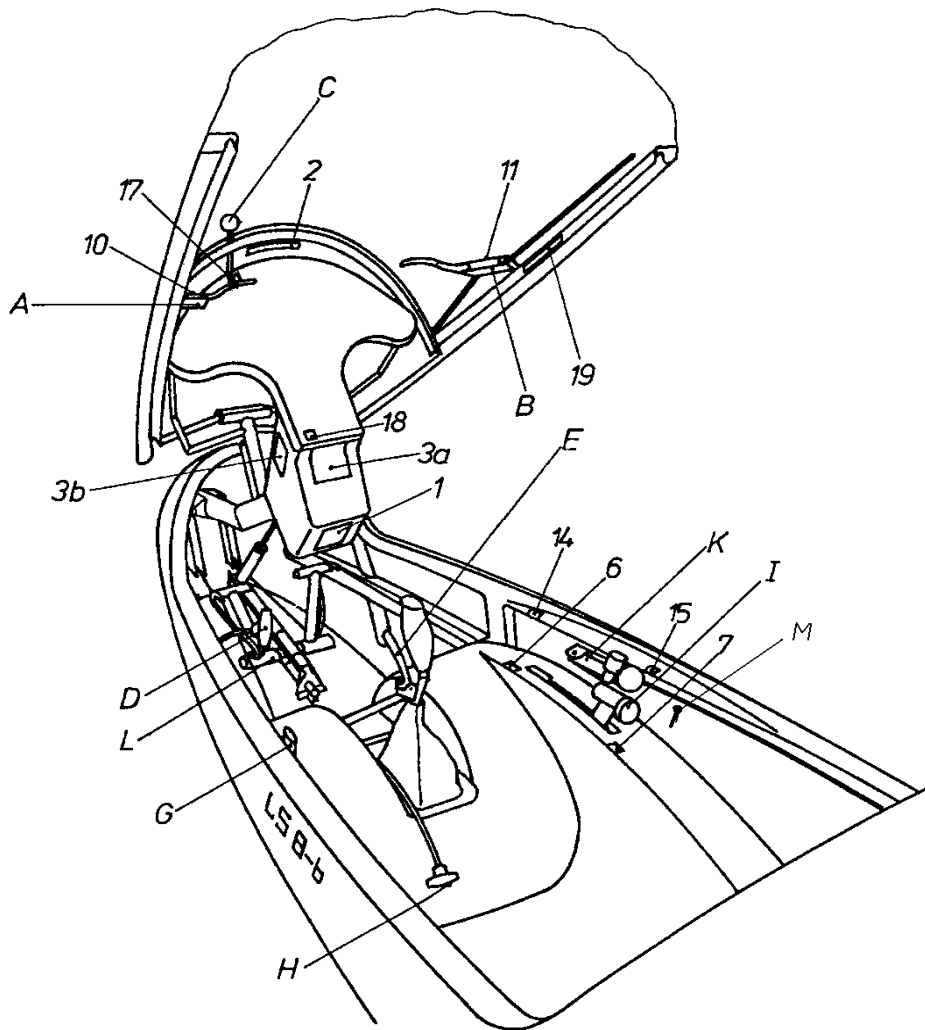
## 7.2 Cockpit Controls



Numbers refer to placards, see also Flight Manual, section 2.12.1 and Maintenance Manual section 7 and 10-2.

- A - Left canopy locking
- B - Right canopy locking and emergency jettison
- C - Ventilation
- D - Tow cable release
- E - Trim locking lever
- F - Trim lever, also indicating trim position
- G - Air brake handle
- G with TN8019 executed:** Air brake and wheel brake
- H - Pedal adjustment
- I - Landing gear
- K - Water ballast
- L - Rudder pedals and wheel brake (feet operated)
- L with TN8019 executed:** Only rudder pedals

7.2 Cockpit Controls continued

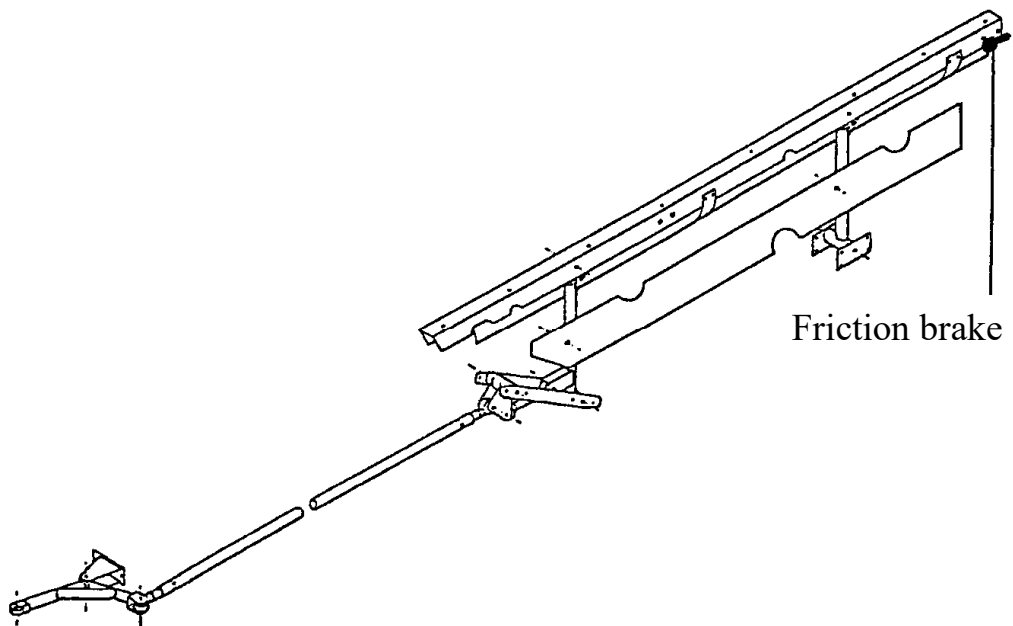


Numbers refer to placards, see also Flight Manual, section 2.12.1 and Maintenance Manual section 7 and 10-2.

- A - Left canopy locking
- B - Right canopy locking and emergency jettison
- C - Ventilation
- D - Tow cable release
- E - Trim locking lever
- F - Trim lever, also indicating trim position
- G - Air brake handle
- G with TN8019 executed:** Air brake and wheel brake
- H - Pedal adjustment
- I - Landing gear
- K - Water ballast
- L - Rudder pedals and wheel brake (feet operated)
- L with TN8019 executed:** Only rudder pedals
- M - **Only LS8-b:** Dummy lever (petrol valve)



### 7.3 Air Brake System



### 7.4 Baggage Compartment

Baggage Compartment is accessible only on the ground after swivelling backrest forward. Loading possible **after** rigging. Equipment (for instance batteries) must be installed according to instructions in Maintenance Manual, section 11. Not permanently fixed, soft items count for cockpit load.

## 7.5 Water Ballast System and Operation

Each wing contains 2 integral tanks (inner and outer tank) with related discharge valve and ventilation. Ventilation of both tanks at forward lower wing root rib in front of spar through one common drain orifice.

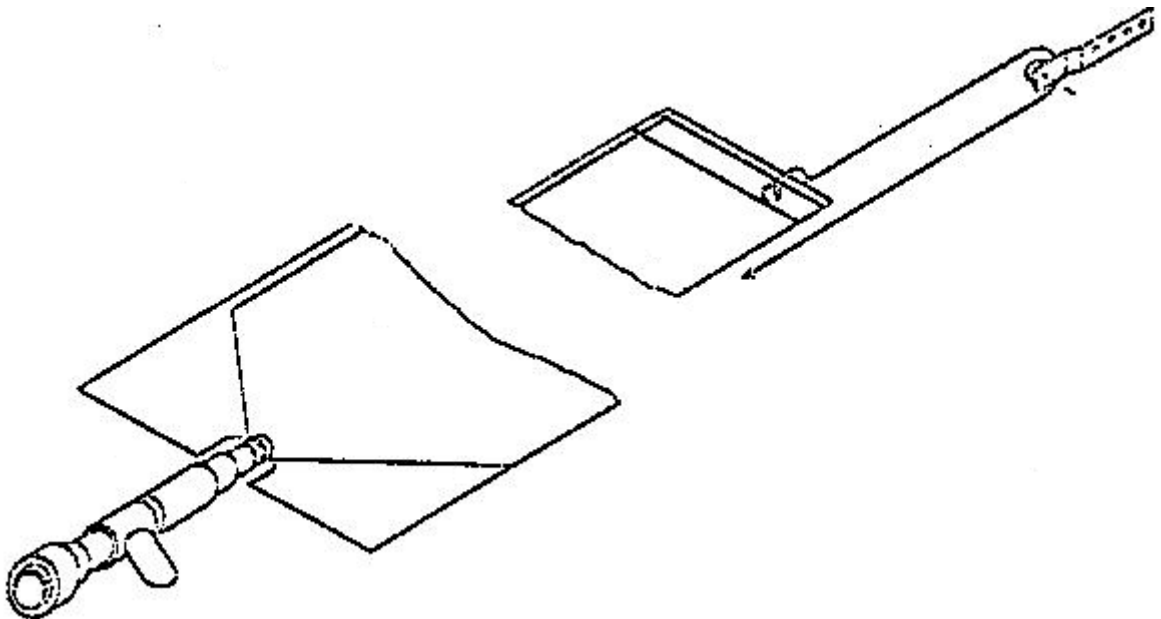
A single or a double lever (**not with LS8-b**) at the right cockpit rim operates **total** water ballast system (wing tanks and tail tank).

**With double levers:** Operating the short lever alone discharges outer wing tanks and tail tank. Operating the long lever automatically includes the short one.

Operating system for the wing tanks couples automatically during rigging.

Use as clean water as possible to avoid damage of seals due to foreign matter and clogging of draining and ventilation tubes.

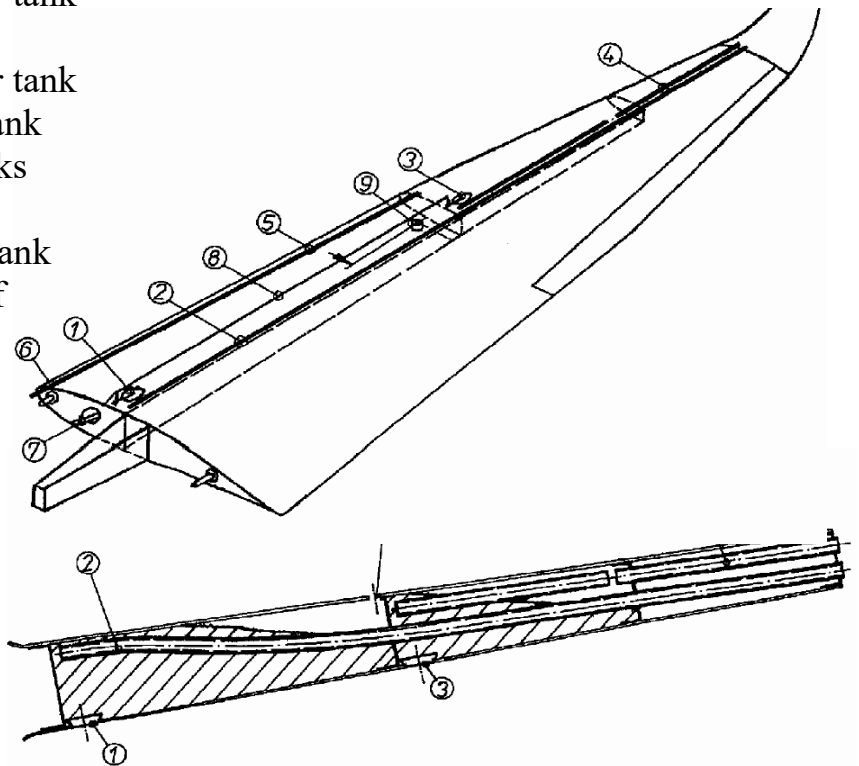
### 7.5.1 Wing water ballast system LS8



7.5.1 Wing water ballast system continued

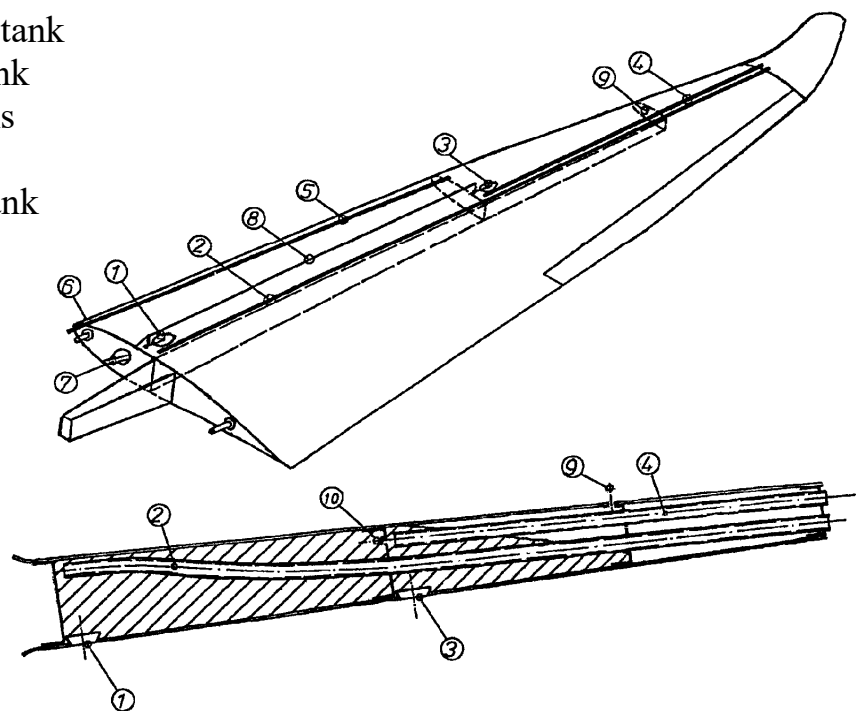
Only LS8-a with Winglet ventilation 1. Version

- (1) Valve of inner tank
- (2) Ventilation tube of inner tank
- (3) Valve of outer tank
- (4) Ventilation tube of outer tank
- (5) Draining tube of outer tank
- (6) Drain valve for both tanks
- (7) Drive lever
- (8) Cable to valve of outer tank
- (9) Additional ventilation of inner tank



Only LS8-a with Winglet ventilation 2. Version

- 1 Valve of inner tank
- 2 Ventilation tube of inner tank
- 3 Valve of outer tank
- 4 Ventilation tube of outer tank
- 5 Draining tube of outer tank
- 6 Drain valve for both tanks
- 7 Drive lever
- 8 Cable to valve of outer tank
- 9 Additional ventilation of outer tank
- 10 Internal ventilation



### 7.5.1 Wing water ballast system continued

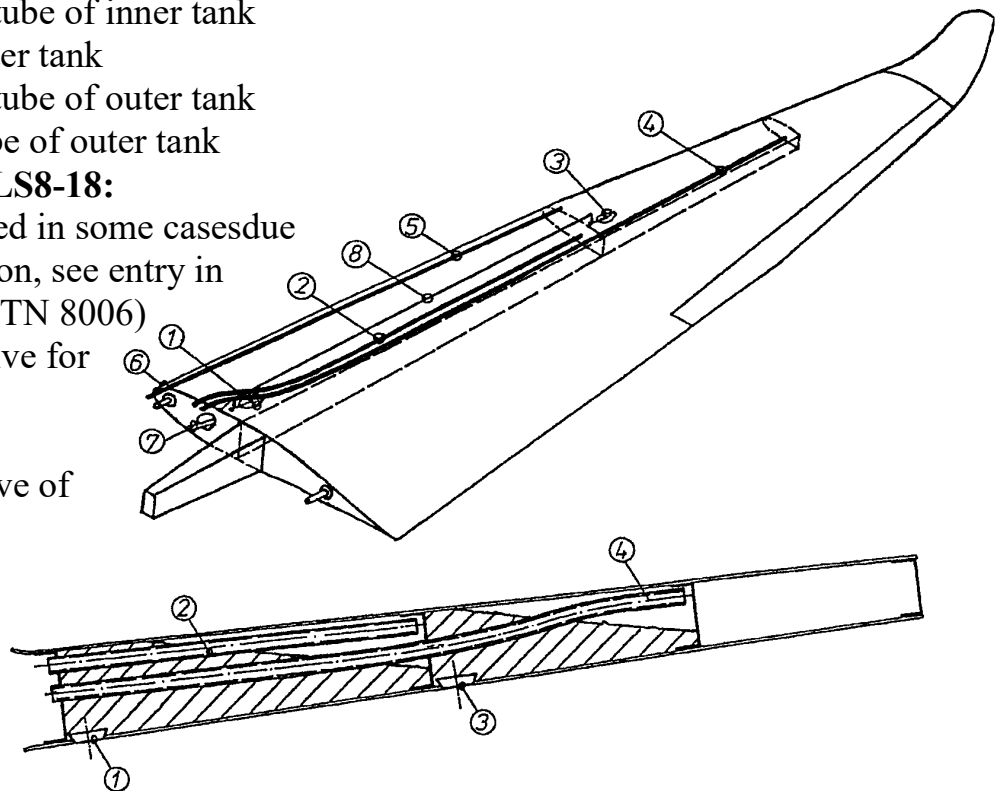
#### LS8-a with ventilation at root rib, LS8-b and LS8-18

- (1) Valve of inner tank
- (2) Ventilation tube of inner tank
- (3) Valve of outer tank
- (4) Ventilation tube of outer tank
- (5) Draining tube of outer tank

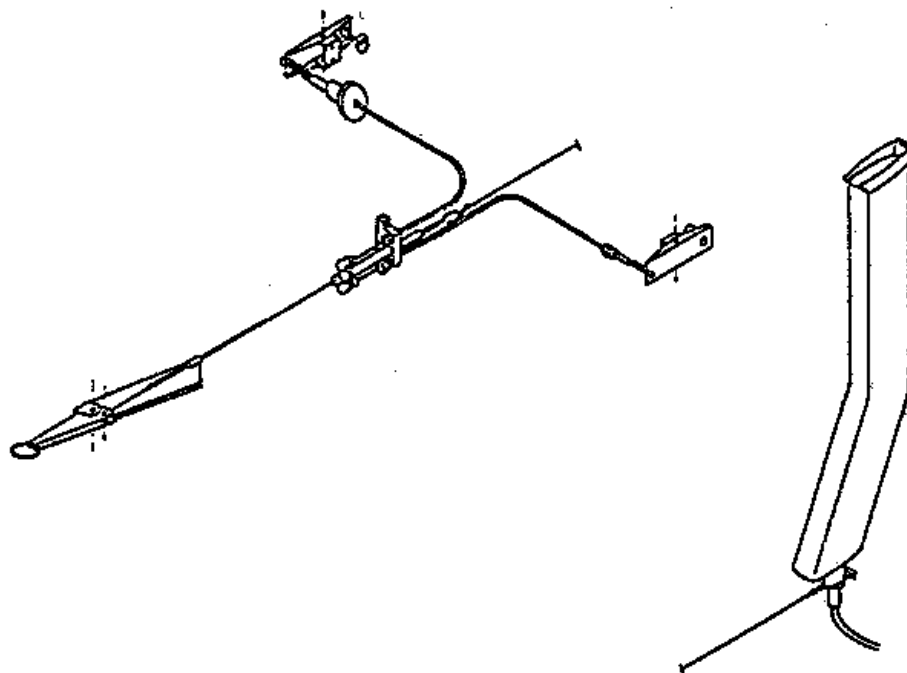
#### LS8-a and LS8-18:

may be closed in some cases due to malfunction, see entry in aircraft log (TN 8006)

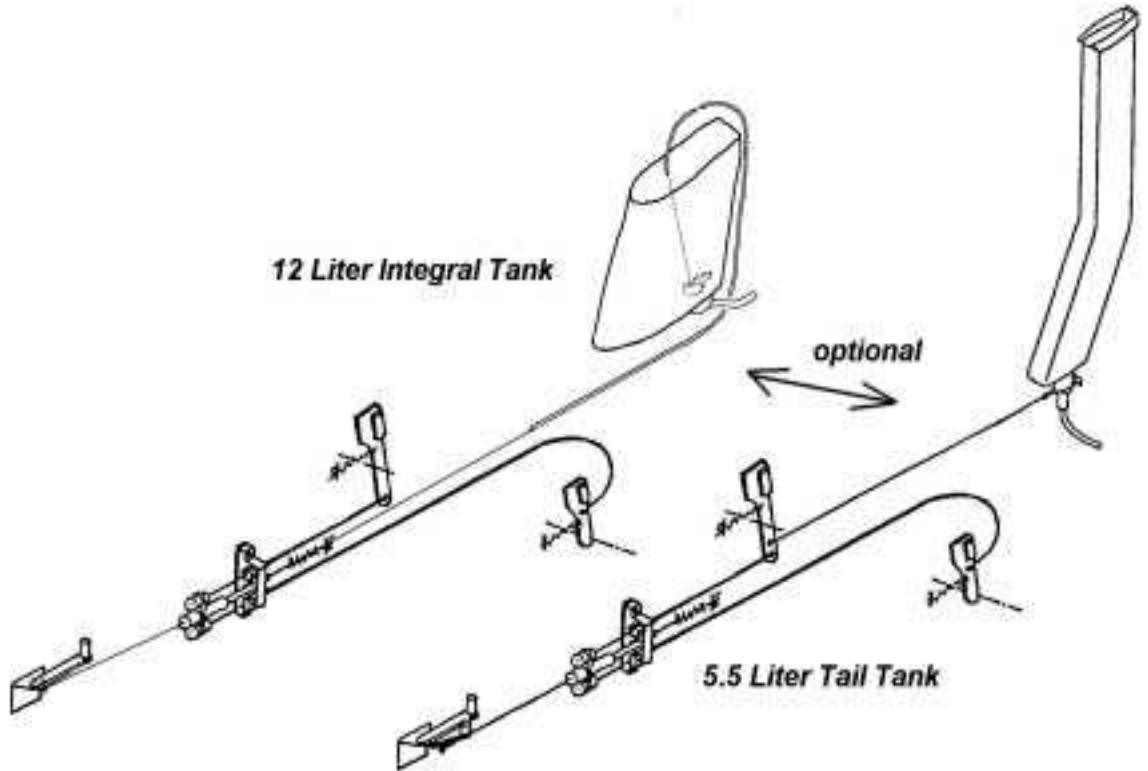
- (6) Draining valve for both tanks
- (7) Drive lever
- (8) Cable to valve of outer tank



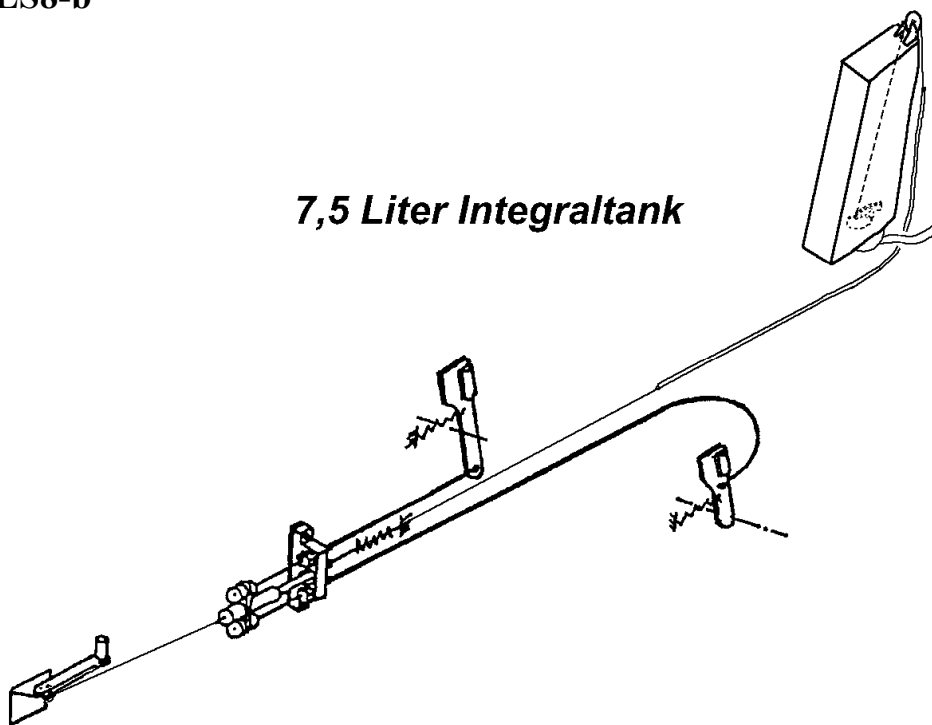
### 7.5.2 Fuselage Water Ballast System: LS8



**7.5,2 Fuselage Water Ballast System continued  
LS8-a and LS8-18:**



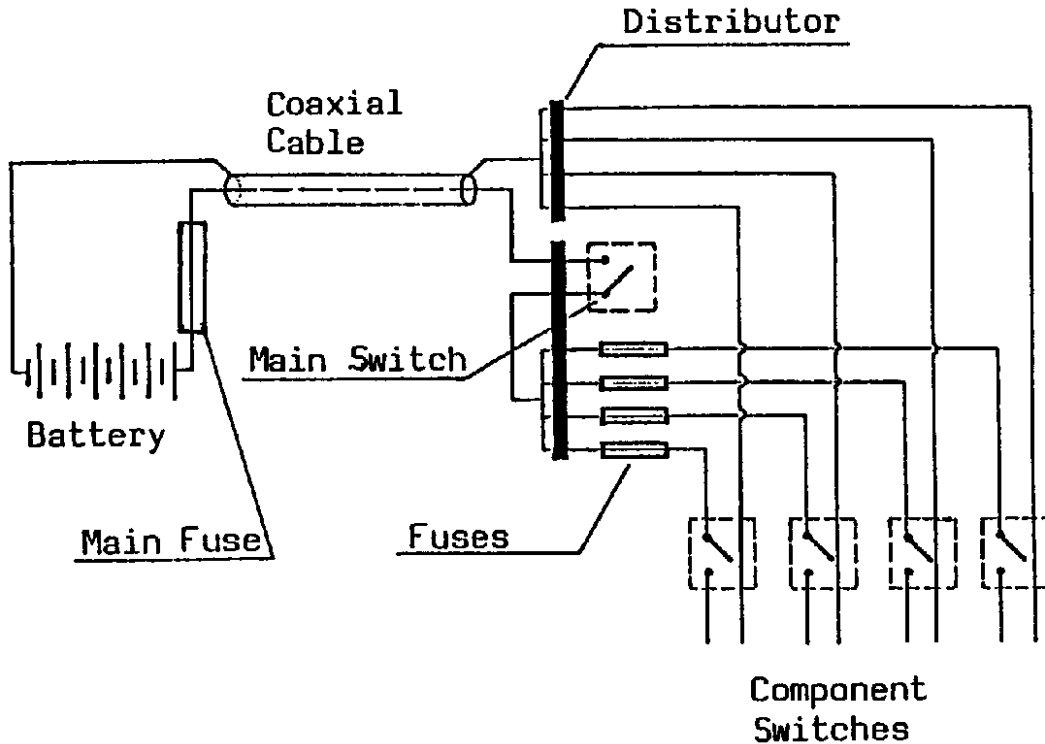
**LS8-b**



## 7.6 Electrical System and Operation

For electrical system principle see wiring diagram below. Power supply by 12V battery with a minimum capacity of 5.7 Ah. In case of two batteries, a three position switch may be used as main switch. A current limiting device must be used for each electrical user (microfuses or circuitbreakers).

When using circuitbreakers, a separate main switch is not required.



### Position of fuses:

Main fuse at battery

Single unit fuses at instrument panel lower region.

### Denomination:

Microfuse 20\*5 (DIN 41571)

Circuit breaker Klixon 7277-2, 7274-2 or similar

### Fuse ratings:

max. 10 A for battery-main fuse

max. 5 A quick acting for radio

max. 1 A quick acting for electrical variometers and turn and bank indicators

### Cross section of cables:

Battery cable min. 1 mm<sup>2</sup> (corresponds to AN 20 wires)

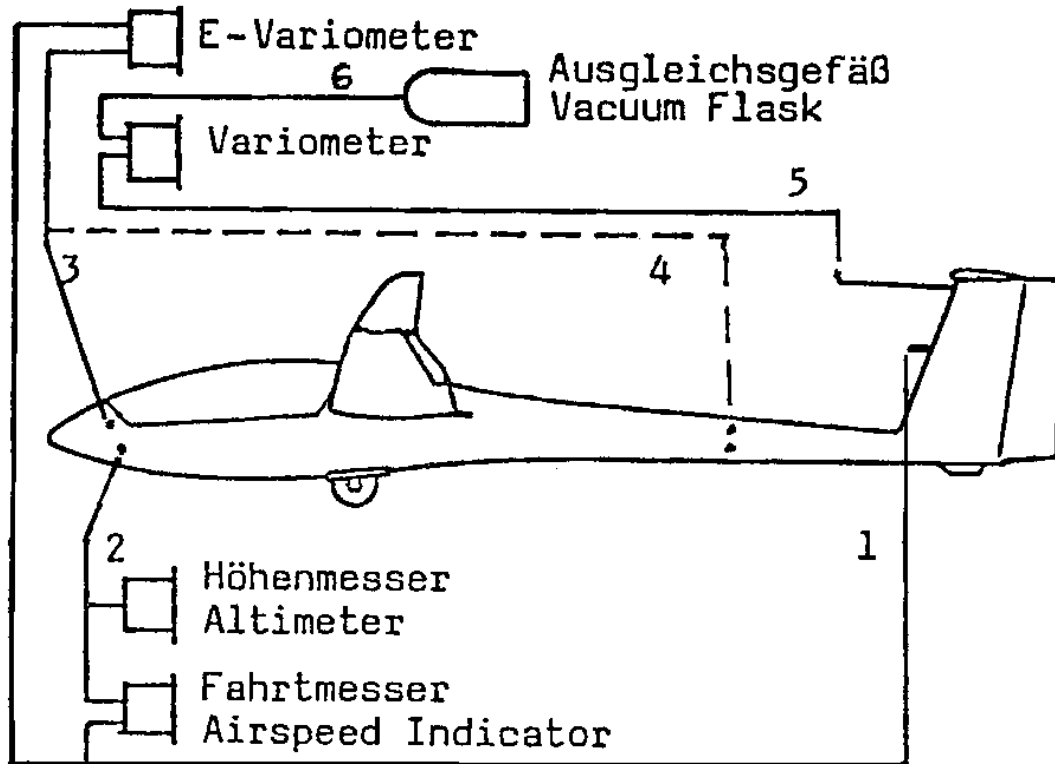
### 7.7 Pneumatic System (Static- and Pitot-Pressure)

Pitot pressure port: 1 at vertical tail fin below TE port

Static pressure ports: 2 for airspeed indicator and altimeter  
 – lower forward fuselage side statics

3 + 4 for variometers – upper forward fuselage side statics and boom

TE-port: 5 at upper vertical tail fin end



- 1 Fin pitot red
- 2 Lower forward statics **blue for airspeed and altimeter!**
- 3 Upper forward statics clear 6mm ø
- 4 Rear boom statics yellow
- 5 TE-port green
- 6 Vacuum bottles for variometers clear 8mm ø

When connecting an electrical variometer with electronic compensation, coupling boom statics (yellow) with upper forward statics (white 6 mm) near the instrument is being recommended. This results in better compensation.

## **7.8 Various Equipment**

### **7.8.1 Expendable Ballast (Trim Weights)**

Expendable ballast to compensate pilot weight below Minimum Cockpit Load, may be fitted in front of rudder pedals and secured with knurled nut.

### **7.8.2 Oxygen System**

Fibreglas receptacle at left main bulkhead for 3 or 4 Litre oxygen bottles of 100 mm <3.94 in>in diameter.

After permanent installation of an oxygen system according to its manufacturers instructions by an adequately licenced repair shop, the sailplane including oxygen system must be inspected (Weight and Balance, Loading Instructions).

When using a removable oxygen unit, its weight must be counted as useful load.

### **7.8.3 Emergency Locator Transmitter (ELT)**

Permanent installation according to Maintenance Manual section 11 and to manufacturers instructions. Possible installation location optionally in rear baggage compartment or special receptacle at right side main bulkhead (optional equipment), remote control from instrument panel necessary.

After installation, cockpit loading limit values must be checked according to Maintenance Manual section 2.

**Caution:** When installing a 406 MHZ ELT proceed according to TN DG-G-08.



## **8 Handling / Servicing / Maintenance**

### Contents of **Section 8**:

8 Handling / Servicing / Maintenance.....	8-1
8.1 Introduction .....	8-1
8.2 Sailplane Inspection Periods .....	8-2
8.3 Alterations or Repairs.....	8-3
8.4 Ground Handling / Road Transport.....	8-4
8.5 Cleaning and Care .....	8-7

### **8.1 Introduction**

This section contains manufacturers recommended procedures for proper ground handling and servicing of the sailplane. It also identifies certain inspection and maintenance requirements which must be followed if the sailplane is to retain that new-plane performance and dependability. It is wise to follow a planned schedule of lubrication and preventive maintenance based on climatic and flying conditions encountered.

1. For service information not contained within this manual, it is recommended to contact agent or manufacturer.
2. All correspondence regarding the sailplane should carry its serial number
3. The serial number can be found on the type placard, on the right side of the main bulkhead.
4. A Maintenance Manual is issued with each sailplane.

## **8.2 Sailplane Inspection Periods**

- (a) Annual Inspection according to checklist and inspection forms provided in Maintenance Manual, section 12, after performance of annual maintenance procedure (Maintenance Manual section 3).
- (b) Manufacturer recommended Daily Inspection, Pre-flight Check and Cockpit Checklist procedure according to checklists section 4.
- (c) Manufacturer recommended Extraordinary Inspection, depending on circumstances (rough landings, ground loop etc.) as provided in Maintenance Manual section 3.
- (d) Other inspections may be required by the issuance of airworthiness directives applicable to the aircraft or components.
- (e) It is the responsibility of the owner/operator to determine that applicable airworthiness directives are complied with.  
When inspections are repetitive, inadvertent non-compliance may be prevented by adding them to the end of the annual inspection checklist or by a special inspection schedule.
- (f) Life limited parts, such as tow release system components or seat belt harness may require other inspections. See Maintenance Manual section 0.4.

### **8.3 Alterations or Repairs**

- When in doubt, whether a “small repair” or a “major repair” is necessary, contact the manufacturer.
- “Major repairs” must be accomplished at national authority-certified repair stations rated for composite aircraft structure work in accordance with DG repair methods.

**Warning:** During “major repairs” and “major modifications” airworthiness may be lost due to unqualified work.

#### **Longitudinal Motion Pushrod Bearings**

**Caution:** Longitudinal motion pushrod bearings should never be greased or oiled!

Longitudinal motion pushrod bearings are being used throughout the wing control system, in the fuselage for elevator-, aileron- and landing gear drive systems. During repairs, never pull pushrods out of longitudinal motion bearings as all balls will leave their cage. To re-install them, a cut-out near each bearing must be cut and closed afterwards!

### **8.3.1 Alterations or Repairs continued**

#### **Forward Horizontal Tail Attachment**

The forward horizontal tail attachment on the vertical tail consists of a special rod end bearing, which is cemented in the correctly aligned position. (See also placards Maintenance Manual section 7.4).

When the ball becomes loose (for instance by deliberate action or inadvertently) the attachment may be damaged during horizontal tail assembly due to non-alignment of ball and corresponding pin.

**Warning:** Ask DG Flugzeugbau for special advice if this has happened. |

### **8.4 Ground Handling / Road Transport**

#### a) **Ground Towing**

Tow at walking speed only

- Use elastic cable from tow release and helper at wingtip
- or
- Use tail dolly with tow-bar and sprung wheel at one outer wing.

**Warning:** Towing backwards at too high speeds may yield undercarriage oscillation due to rough ground, resulting in overcenter, collapse and bent drive lever.

#### b) **Parking**

In no case should sailplanes be parked without permanent supervision, because their weight is small compared to wing area and damage can be expected in moderate wind.

## **8.4 Ground Handling / Road Transport** continued

c) **Tie-down**

Tie-down out in the open as a substitute for a hangar place should never be considered: weathering marks due to changes of temperature, ultra violet radiation and humidity can result in rapid gelcoat deterioration; resulting cracks can cause eventual structural damage.

When permanent supervision can not be guaranteed, tie down as follows:

- Place tail unit about 45° into main wind direction
- Lay windward wingtip down
- Place ground anchors to both sides of rear fuselage boom and wingtip
- Strap rear fuselage and wingtip down using rope and foam to avoid scratching.

d) **Supporting Area to lift whole Sailplane**

1. Under wing spar near fuselage, never under nose section
2. Under fuselage shell in front of wing (main bulkhead)
3. Fuselage shell at tail skid

## **8.4 Ground Handling / Road Transport** continued

### e) **Supporting Area for Road Transport**

**Fuselage:** Tail skid or tail wheel  
Main wheel  
Fuselage shell in front of landing gear, minimum width of support 30 cm <11.8 in>.

**Wing:** Right spar at inner or outer main pin hole

Left forked spar at inner main pin hole. At outer main pin hole only, when both fork ends are supported

Shell at root, minimum width of support 15 cm <5.9 in>.

Shell at outer air brake end, minimum width of support 25 cm < 10 in>.

**Horizontal** At any place, minimum width of support 8 cm <3.2 in>.

**Tail Unit:**

*Note only for LS8-a, LS8-18 and LS8-b: Always keep wing discharge orifices open for ventilation during trailer storage.*

## 8.5 Cleaning and Care

**Caution:** Unless regularly polished with hard wax after each cleaning, sanded gelcoat shows distinctive weathering marks due to changes of temperature, ultra violet radiation and humidity (Wax at least twice a year!).

**Humidity** enters resin structure after prolonged application and causes swelling up. High temperatures at the same time speed this process up. Conserving gelcoat with wax decelerates this process, but is unable to stop it completely.

Therefore, try to remove water whenever it enters interior as far as possible using a sponge.

**Drain wing integral water tanks and tail fin tank regularly and keep discharge orifices open for ventilation.**

If need be, store in dry environment for drying.

Therefore, avoid unnecessary long periods out in the open.

**Ultra Violet Radiation** (Sunlight, particularly strong during high altitude flights!) causes the polyester coat to embrittle and become yellow. Therefore, avoid unnecessary exposure to sunlight (for instance outside parking instead of packing into the trailer).

**Self Adhesive Tape** residue should only be wiped off using white gasoline (see also following recommendations from paint manufacturer).

For **Canopy** (Plexiglas) care never use dry cloth because of resulting static charge, consequent collection of dust particles and scratching. Cleanse with clear water and clean chamois leather, use anti-static fluid (for instance Plexiklar) afterwards.

## 8.5 Cleaning and Care continued

**Cleaning and Care Recommendations** according to paint manufacturers:

**Suitable:**

- Water with washing-up liquid, added in recommended quantities
- Car polish with or without silicone.
- Car hardwax.

**Suitable with** - Tar remover for cars based on petrol or white gasoline.

**Reservations:** - Alcohol, like spirit or isopropyl alcohol.

Reservations are, that these liquids should only be used for wiping off, not for soaking with rags.

**Unsuitable:** - Strong solvents and thinners (Acetone)

These items may decompose gelcoat and cause local shrinking.

**Completely** - Trichlorethylene

**unsuitable:** - Carbon tetrachloride or similar hydrocarbon chlorides

These liquids destroy the gelcoat.

Other over the counter products must be tested before being used!



## **8.5 Cleaning and Care** continued

### **Pins, Bushes and Control System Connectors**

Due to required tolerances not all these items can be protected against corrosion. Therefore cover regularly with non-corrosive grease.

### **Seat Belt Harness**

Check regularly for condition (fraying of edges), mildew and wear. Check fittings and buckle regularly for corrosion and proper function. (See also excerpt of harness manufacturers maintenance instructions, accompanying this manual).

### **Control Surface Gap Sealing**

When de-rigged, fix control surfaces to zero deflection to avoid loss of initial tension of elastic tapes and consequent inability to seal.

### **Tow Hooks**

Clean regularly by blowing out and lubricate with spray oil. See also maintenance instructions of manufacturer.

### **Caution:** Longitudinal Motion Pushrod Bearings

These bearings should never be greased or oiled, their plastic balls and aluminium alloy bearing surfaces will soon be destroyed due to collection of foreign matter. These bearings are used throughout the wing control systems, in the fuselage for the elevator-, aileron- and landing gear systems.

## **8.5 Cleaning and Care** continued

### **Long Term Storage**

- (a) Remove instrumentation and store separately.
- (b) Close external pressure ports (see Maintenance Manual section 1-14) and inner tube ends.
- (c) Protect all metal parts using acid-less spray oil or non-corrosive grease (Vaseline).
- (d) Close all orifices (including **all opened water ballast valves**) without preventing air circulation using wire cloth or similar means to prevent entry of small animals.
- (e) Store in as dry as possible environment.

### **Return to Service**

- (a) Inspection according to annual inspection, See Maintenance Manual section 3.1 and blank inspection forms in section 14.
- (b) Inspect inside of fuselage for small animals (Mice, birds etc.) and/or nests.
- (c) Check compass deviation and update deviation table.



**6.2 Weighing Record and Loading Limits**

**Warning:** New entry with each new weighing or when changing equipment. Entry should be calculated in accordance with section 2 of Maintenance Manual. Mark dimensions used. State amount of permanently fitted ballast in appropriate position or none.

**Serial Number:** \_\_\_\_\_

		Wing span	[m]	15	18	15	18	15	18	15	18
		Empty Weight	[kg / lbs]	271,7	279,3						
		C.G. position	[mm / in]	648,5							
		Max. Cockpit Load	[kg / lbs]	102,3							
<b>Minimum Cockpit Load</b>	With tail battery	Tail tank full	[kg / lbs]	130							
		Tail tank empty *	[kg / lbs]	75							
	Without tail battery	Tail tank full	[kg / lbs]	120							
		Tail tank empty *	[kg / lbs]	65							
	Fixed trim ballast	front	[kg / lbs]								
		rear	[kg / lbs]	--							
	Batteries installed	Seat front end	[number]								
		Baggage Comp.	[number]								
		Vertical tail fin	[number]	1	2,7 kg						
		Date / Inspector		J.J. HABERSTEDT		11/12/2016					

\* These Minimum Cockpit Load values may only be used, when the pilot can positively exclude unintentional use of tail fin water and tail fin battery, i.e. he has checked proper valve opening by use of tubing and blowing through valve and visually checked, that no tail fin battery is installed by removing horizontal tail and re-installing.

**6.2 Weighing Record and Loading Limits** continued to enter for further weighings

**Warning:** New entry with each new weighing or when changing equipment. Entry should be calculated in accordance with section 2 of Maintenance Manual. Mark dimensions used. State amount of permanently fitted ballast in appropriate position or none.

**Serial Number:** \_\_\_\_\_

	Wing span	[m]	15	18	15	18	15	18	15	18
	Empty Weight	[kg / lbs]								
	C.G. position	[mm / in]								
	Max. Cockpit Load	[kg / lbs]								
<b>Minimum Cockpit Load</b>	With tail battery	Tail tank full	[kg / lbs]							
		Tail tank empty *	[kg / lbs]							
	With-out tail battery	Tail tank full	[kg / lbs]							
		Tail tank empty *	[kg / lbs]							
Fixed trim ballast	front	[kg / lbs]								
	rear	[kg / lbs]	--							
Batteries installed	Seat front end	[number]								
	Baggage Comp.	[number]								
	Vertical tail fin	[number]								
Date / Inspector										

\* These Minimum Cockpit Load values may only be used, when the pilot can positively exclude unintentional use of tail fin water and tail fin battery, i.e. he has checked proper valve opening by use of tubing and blowing through valve and visually checked, that no tail fin battery is installed by removing horizontal tail and re-installing.

<b>CENTRAGE PAR WB DE DERIVE en fonction de la charge cockpit (pilote + parachute + bagages + batterie(s) dans soute à bagages)</b>		
<b>BATTERIE DE DERIVE EN PLACE</b>		
Charge cockpit (kg)	Nombre de gueuses de 2,45 kg	Masse d'eau dans ballast de dérive (kg) (1)
60	3	0
65	2	0
70	1	0
<b>75</b>	<b>0</b>	<b>0</b>
80	0	1,3
85	0	2,6
90	0	3,9
95	0	5,2
100	0	6,5

(1) : Masse d'eau (**facultative, pour obtenir un centrage arrière**) pour équilibrage de la charge cockpit (à laquelle s'ajoute éventuellement la masse d'eau pour équilibrage du ballastage des ailes)

<b>Ballastage maxi admissible dans les ailes en fonction de la charge cockpit</b>	
Charge cockpit (kg)	Masse maxi d'eau (kg)
75 ou moins	173
80	168
85	163
90	159
95	154
100	149
102,3	144

<b>Masse d'eau (kg) dans les water-ballasts d'ailes et water-ballast de dérive</b>					
Masse totale dans les ailes	WB extérieur gauche	WB intérieur gauche	WB extérieur droit	WB intérieur droit	WB de dérive (1)
25 à 37	12,5 à 18,5	0	12,5 à 18,5	0	1
38 à 49	19 à 24,5	0	19 à 24,5	0	1,5
50 à 60	25 à 30	0	25 à 30	0	2
61 à 74	30	0,5 à 7	30	0,5 à 7	2,5
75 à 87	30	7,5 à 13,5	30	7,5 à 13,5	3
88 à 99	30	14 à 19,5	30	14 à 19,5	3,5
100 à 112	30	20 à 26	30	20 à 26	4
113 à 124	30	26,5 à 32	30	26,5 à 32	4,5
125 à 137	30	32,5 à 38,5	30	32,5 à 38,5	5
138 à 149	30	39 à 44,5	30	39 à 44,5	5,5
150 à 162	30	45 à 51	30	45 à 51	6
163 à 173	30	51,5 à 56,5	30	51,5 à 56,5	6,5

(1) : masse d'eau **obligatoire** dans WB de dérive pour équilibrer la masse d'eau dans les ailes (à laquelle s'ajoute éventuellement la masse d'eau pour équilibrage de la charge cockpit)

## **LS8-18 : PROCEDURE DE BALLASTAGE**

(pour procédure complète, voir FLIGHT MANUAL § 4.5.10)

### **Préalables :**

- Utiliser l'eau la plus propre possible, sans aucun additif
- Avec les WB pleins, la pression de la roue principale doit être gonflée à 4 bars
- Toujours remplir le WB de dérive en premier
- Ballastage d'une aile : toujours remplir le WB extérieur en premier (capacité 30 litres maximum), ensuite compléter dans le WB intérieur
- **Ne jamais ballaster les ballasts d'aile ou de dérive directement avec une pompe ou une tuyauterie sous pression (la faible section des événements ne permettrait pas d'évacuer la surpression) : toujours utiliser les 3 entonnoirs et flexibles prévus à cet effet munis des embouts spéciaux LS8.**

### **Ballastage du WB de dérive :**

- Définir la quantité d'eau à mettre dans les ailes
- Déterminer la masse d'eau à introduire dans le WB de dérive (**obligatoire** pour équilibrage du ballastage des ailes)
- Déterminer la masse d'eau supplémentaire à introduire dans le WB de dérive pour équilibrage de la charge cockpit (**facultative**, en fonction du centrage désiré par le pilote)
- Ouvrir la vanne de vidange WB (levier vers l'avant)
- Connecter l'adaptateur de WB de dérive dans l'orifice de vidange situé dans la nervure inférieure de la gouverne de symétrie, celle-ci étant tournée vers la gauche
- Ailes horizontales, roue principale et roulette de queue sur le sol, entonnoir à côté de l'échelle graduée sur la dérive du planeur (utiliser le pied prévu à cet effet)
- Remplir le WB de dérive jusqu'à la quantité calculée plus haut (indiquée par le niveau d'eau dans le tuyau transparent positionné à côté de l'échelle graduée)
- Fermer la vanne de vidange (levier vers l'arrière)
- Déconnecter l'adaptateur de remplissage

### **Ballastage des ailes** (après remplissage du WB de dérive) :

- Planeur horizontal, vanne de vidange fermée, WB de dérive ballasté
- Toujours commencer par le WB extérieur
- Introduire l'adaptateur de petit diamètre dans l'orifice de vidange du WB extérieur pour l'ouvrir puis bloquer le connecteur par une rotation
- Remplir le WB extérieur (voir tableau). Utiliser le pied prévu à cet effet.
- Introduire l'adaptateur de gros diamètre dans l'orifice de vidange du WB intérieur pour l'ouvrir puis bloquer le connecteur en vissant la bague téflon moletée
- Remplir le WB intérieur (voir tableau). Utiliser le pied prévu à cet effet.
- Remplir l'autre aile
- Quand un ballast est plein, l'eau s'écoule par l'orifice d'évent qui débouche près de l'emplanture de l'aile en bas et côté bord d'attaque

### **Contrôles après ballastage :**

- Vérifier l'absence de fuites (aucune fuite, même mineure, tolérée)
- Faire un **test de vidange** : actionner le levier de vidange vers l'avant, le WB de dérive doit commencer à se vidanger **avant ou en même temps** que les ballasts d'ailes (indispensable pour éviter de déporter le centre de gravité vers l'arrière lors du déballastage)

## LS8-18 : PROCEDURE DE MONTAGE ET DEMONTAGE

(pour procédure complète, voir FLIGHT MANUAL § 4.2.)

### **MONTAGE LS8-18 :**

- Vérifier que les bouchons d'évents en caoutchouc situés à l'emplanture des ailes (2 trous par aile, à la partie inférieure de l'emplanture coté bord d'attaque) sont en place. Sinon, les mettre en place (rangés dans la pochette avec les axes et les outils)
- Déposer les ressorts qui maintiennent ouverts les vannes de vidange des ballasts et les ranger dans la pochette
- Sortir le train
- Nettoyer et graisser les pions d'ailes et les roulements des commandes automatiques d'ailerons et d'aérofreins
- **Manche au neutre, levier de commande des ballasts en position fermée (levier vers l'arrière)**
- **Attention :**
  - si l'aileron est orienté vers le haut, la bielle de commande force dans le godet d'entraînement et rend impossible le montage
  - si le levier de commande des ballasts n'est pas en position fermée, le montage des ailes est impossible
- insérer l'aile droite (sans winglet)
- insérer l'aile gauche (sans winglet)
- introduire les 2 axes
- sécuriser les axes en position à l'aide des ressorts
- installer les 2 batteries dans leur logement dans la soute à bagages
- installer la batterie de dérive dans son logement et la connecter (**le planeur ne doit pas être utilisé sans sa batterie de dérive en place**)
- vérifier que la rotule de maintien de la profondeur est bien fixe, sans jeu
- installer la profondeur, sécuriser en vissant l'écrou cranté jusqu'à obtenir absence de jeu, marque rouge invisible et triangles rouges se faisant face
- installer l'antenne de compensation
- scotcher la profondeur (trappe d'accès à l'écrou cranté)
- tester l'ouverture des vannes de vidange des ballasts
- vérifier le fonctionnement des commandes
- installer les winglets 15m ou 18m

### **DEMONTAGE LS8-18 :**

- Procéder en sens inverse du montage
- Les aérofreins doivent être déverrouillés dans les ailes pour éviter une déformation possible due aux efforts de verrouillage
- En cas de stockage de longue durée dans la remorque, les bouchons d'évent des WB d'ailes en caoutchouc doivent être déposés et rangés dans la pochette
- Installer les ressorts de maintien des vannes de ballasts en position ouverte