

Rolladen Schneider Flugzeugbau GmbH	FLIGHT MANUAL	LS4	Page 0-1 Edition 1.1.81
--	---------------	-----	----------------------------

FLIGHT MANUAL

For the sailplane type LS4

This Flight Manual should be carried in the sailplane at all times.

This Flight Manual is issued for the sailplane LS4

Registration Number D-4243

Serial Number 4132

Manufacturer Rolladen Schneider Flugzeugbau GmbH
 Mühlstrasse 10, 6073 Egelsbach, Germany

Owner **AAVA**

Because of responsibility of information a change of ownership should be reported to the manufacturer immediately.

Approval of translation has been done by best knowledge and judgement. — In any case the original text in German language is authoritative.



[Handwritten signature]

Pages 1-1 through 3-13 approved by Luftfahrt-Bundesamt 19. Aug. 1982

Annexe 1



Cet intercalaire doit obligatoirement être inséré
devant la page de garde d'un manuel de vol en
langue anglaise

AVERTISSEMENT

Le présent document en langue anglaise est le manuel de vol approuvé par l'Agence européenne de la sécurité aérienne.

En application des dispositions de l'arrêté du 24 juillet 1991 relatif aux conditions d'utilisation des aéronefs civils en aviation générale (« Un vol ne peut être entrepris que si, d'une part les membres d'équipage sont familiarisés avec l'aéronef et son équipement de bord, notamment le matériel de sécurité-sauvetage et les systèmes spéciaux, et d'autre part ont une connaissance pratique de son manuel de vol ou des documents acceptés comme équivalents. »),

Nul ne peut utiliser l'aéronef avec ce seul document s'il n'a pas une connaissance suffisante de la langue anglaise.

A défaut, il appartient au propriétaire ou à l'exploitant de l'aéronef de se procurer une traduction de ce document sous sa responsabilité.

Référence : Instruction du 13/11/2009 relative à la langue des manuels de vol

Rolladen Schneider Flugzeugbau GmbH	FLIGHT MANUAL Table of Contents	LS4	Page 0-2 Edition 15.12.81
--	------------------------------------	-----	------------------------------

	Page
Cover Page	0-1
Table of Contents	0-2 - 0-4
List of Pages	0-5 - 0-6
OPERATING LIMITATIONS	
General	1-1
Airspeed Limits	1-2
Position Error of Airspeed System	1-3
Colour Marking on Airspeed Indicator	1-4
Weights	1-5
Position of C.G. in Flight	1-6
Cockpit Load	1-7
Water Ballast Limitations	1.8 - 1-9
Baggage Limitations	1-10
Weight Compensation for Pilots not meeting Minimum Weight Requirements	1-10
Tire Pressure	1-10
Limit Maneuvering Load Factors	1-11
VFR Flight and Cloud Flying	1-11
Minimum Equipment	1-11

Rolladen Schneider Flugzeugbau GmbH	FLIGHT MANUAL Table of Contents	LS4	Page 0-3 Edition 1.1.81
--	------------------------------------	-----	----------------------------

	Page
Minimum Equipment	1-11
Break Away Link in Tow Rope	1-11
 EMERGENCY PROCEDURES	
Stalls	2-1
Spins	2-1
Limitation of High Speed Flight	2-2
Emergency Canopy Release	2-2
Rain	2-3
Icing	2-3
 NORMAL PROCEDURES	
Assembly and Disassembly	3-1 - 3-3
Pre-flight Checks	3-4
Post-flight Checks	3-5
Adjustment of Rudder Pedals	3-5
Adjustment of Backrest	3-5
Automatic Parachute Static Line	3-6

DG Flugzeugbau GmbH	FLIGHT MANUAL LS4	Table of contents	Page 0-4
			Issued February 2019 TN 4049

Content	Page
Landing Gear	3-6
Wheel Brake	3-6
Trim System	3-7
Water Ballast	3-8
Winch Launch	3-9
Aero Tow	3-10
Free Flight	3-11
Landing	3-12
High Altitude Flights	3-13
Supplements Introduction	4-1
Note: Content of supplements on page 9-1.	

DG Flugzeugbau GmbH	FLIGHT MANUAL LS4	List of Pages	Page 0-5
			Issued February 2019 TN 4049

Page	Issued	Issued / TN	Issued / TN	Issued / TN	Issued / TN
0-1	1.01.1981				
0-2	1.01.1981				
0-3	1.01.1981				
0-4	1.01.1981				
0-5	1.01.1981	October 1999	October 2010/4032 Rev.1	February 2019/4049	
0-6	1.01.1981	October 1999	October 2010/4032 Rev.1	February 2019/4049	
1-1	1.01.1981				
1-2	1.01.1981				
1-3	1.01.1981				
1-4	1.01.1981				
1-5	1.01.1981	May 2011	February 2019/4049		
1-6	1.01.1981	May 2011			
1-7	1.01.1981				
1-8	1.01.1981				
1-9	1.01.1981				
1-10	1.01.1981				
2-1	1.01.1981				
2-2	1.01.1981	October 2010/4032	May 2011/4032 Rev. 2		
2-3	1.01.1981				

DG Flugzeugbau GmbH	FLIGHT MANUAL LS4	List of Pages continued	Page 0-6
			Issued February 2019 TN 4049

Page	Issued	Issued / TN	Issued / TN	Issued / TN	Issued / TN
3-1	1.01.1981				
3-2	1.01.1981				
3-3	1.01.1981				
3-4	1.01.1981	October 2010/4032	May 2011/4032 Rev. 2		
3-5	1.01.1981				
3-6	1.01.1981	October 1999			
3-7	1.01.1981				
3-8	1.01.1981				
3-9	1.01.1981				
3-10	1.01.1981				
3-11	1.01.1981				
3-12	1.01.1981	October 1999			
3-13	1.01.1981				
4-1	February 2019				
4-2	February 2019				
4-3	February 2019				

Rolladen Schneider	FLIGHT MANUAL		Page 1-1
Flugzeugbau GmbH	Operating Limitations	LS4	Edition 1.1.81

General

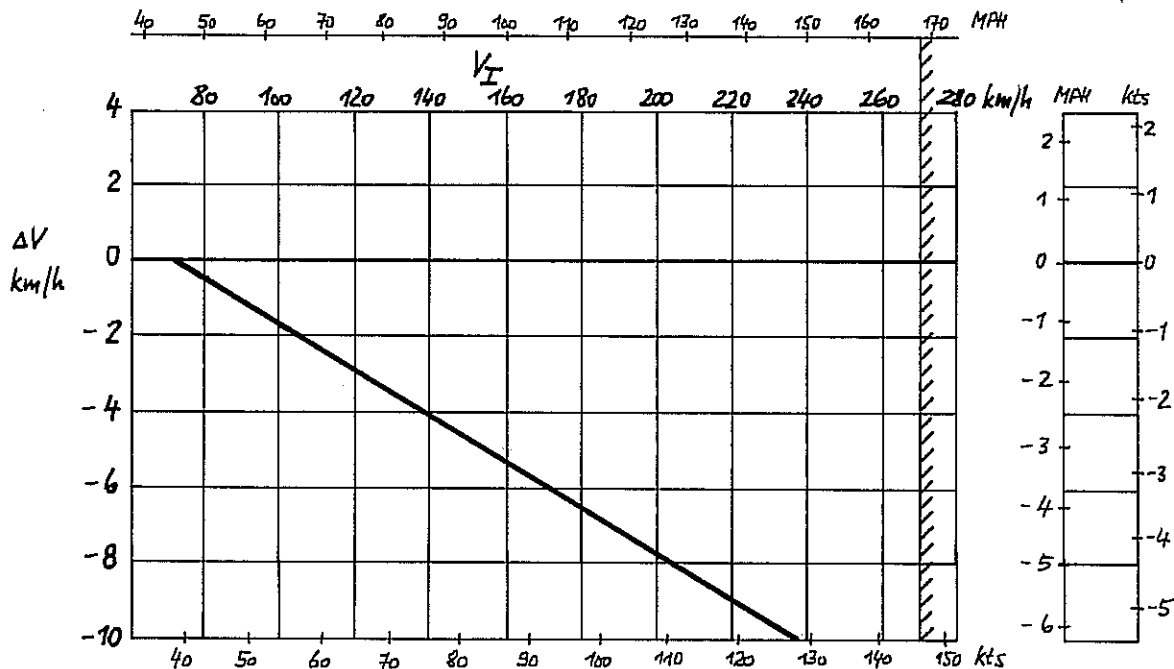
The LS4 sailplane is designed and approved according to LFSM regulations. The safety margin - ratio of fracture loads to permissible maximum loads which may occur some times - is 1.5 only. This means that fracture loads will be achieved when exceeding permissible load factors by 50%. When exceeding permissible speeds, the safety margin is much lower.

Maximum permissible loads should not be achieved by the pilot's control surface deflections. They result from severe turbulence and the necessary control surface deflections to maintain the desired attitude.

Severe turbulence would include wave rotors, flying in cumulonimbus clouds, dust devils and when crossing mountain ridges in strong winds.

POSITION ERROR OF AIRSPEED SYSTEM

$$V_{\text{Cal}} = V_I + \Delta V \quad (\text{Nose pitot, forward fuselage side static})$$



Rolladen Schneider	FLIGHT MANUAL	LS4	Page 1-4
Flugzeugbau GmbH	Operating Limitations		Edition 1.1.81

Colour Marking on Airspeed Indicator

- Green Range: 85 - 180 km/h (46 - 97 kts, 53 - 112 MPH)
 Within this speed range it is not possible to overload the sailplane by "severe turbulence" and the necessary maximum control surface deflections to maintain the desired attitude.
- Yellow Range: 180 - 270 km/h (97 - 146 kts, 112 - 168 MPH)
 Within this speed range "severe turbulence" or control surface deflections of more than 1/3 of possible travel may exceed the design limit and should be avoided. Maneuvering loads, gust loads and loads due to control surface deflections should not be encountered simultaneously.
- Red Line: 270 km/h (146 kts, 168 MPH)
 Never exceed up to 6500 ft above MSL flying altitude. For higher altitudes see page 1-2.
- Yellow Triangle: 90 km/h (49 kts, 56 MPH)
 Recommended approach to landing speed without water ballast.

DG Flugzeugbau GmbH	FLIGHT MANUAL LS4	Operating Limitations	Page 1-5
			Issued February 2019 TN 4049

Weights:

Max. flight weight (with water ballast): 472 kg <1041 lbs.>

Max. flight weight without water ballast: $W_{max} = W_{nlp} + W_{wings}$

Max. weight of non-lifting parts W_{nlp} : 230 kg <507 lbs.>

W_{nlp} with TN 4046/4047 executed (water bags removed or
water bags marked V112) 250 kg <551 lbs.>

Note: If required the max. mass of non-lifting parts may be increased according to maintenance manual LS4 issued May 2011 section 2.2.1 item 2 and tables in section 2.4. This is not valid if TN4049 neo-Winglets has been performed.

Note: TN 4046 (manual revisions) and TN 4047 (increase of mass of non-lifting parts) don't apply for LS4-b only but also for LS4 and LS4-a (TNLS-S-01).

Caution: With TN4045 (winglets) executed the max. mass and the max. mass of the non-lifting parts are reduced by 10 kg (22 lbs.). The max. amount of water ballast is limited to 100 kg <220 lbs.>.

Maximum permissible Cockpit Load (pilot + parachute): 110 kg <242 lbs>

Caution: The maximum permissible Cockpit Load may be reduced by the max. mass of non-lifting parts see entry on page1-7.

Min. Cockpit Load (pilot + parachute):

Without trim weights in fuselage nose: 70 kg <154 lbs.>

With 3 trim weights in fuselage nose: 55 kg <121 lbs.>

Note: 1 trim weight equals 5 kg <11 lbs. > pilot mass.

Note: When being used in a club, Minimum Cockpit Load should be 70 kg (154 lbs). If used otherwise, the min. Cockpit Load may be increased according to maintenance manual LS4 issued May 2011 section 2.2.1.

Water ballast in the wings: max. 140 kg <309 lbs.>

DG Flugzeugbau GmbH	FLIGHT MANUAL LS4	Operating Limitations	Page 1-6
			Issued May 2011 TN LS-S-01

C.G. position in flight (without waterballast)

Maximum allowable:

Forward C.G. position: 225 mm (8.86 in.) aft of DP.

Rearward C.G. position: 400 mm (15.75 in.) aft of DP.

Datum Point (DP): Leading edge of wing at root, when under side of fuselage boom placed horizontal.

Note: Loading waterballast shifts inflight C.G. forward. From rearward flight C.G. position, 140 liters <308 lbs., 30.8 Imp. Gal.> of ballast shift the C.G. approx. 50 mm <1.97 in.> forward.

Rolladen Schneider Flugzeugbau GmbH	FLIGHT MANUAL		LS4	Page 1-8
	Operating Limitations			Edition 15.12.81

Water Ballast Limitations

Maximum Capacity 60-70 kg (132-154 lbs) each bag = 120-140 kg (264-308 lbs)

Pilot and Parachute (kg)	Empty Weight (kg)									
	230	235	240	245	250	255	260	265	270	275
70	140	140	140	140	140	140	140	137	132	127
75	140	140	140	140	140	140	137	132	127	122
80	140	140	140	140	140	137	132	127	122	117
85	140	140	140	140	137	132	127	122	117	112
90	140	140	140	137	132	127	122	117	112	107
95	140	140	137	132	127	122	117	112	107	102
100	140	137	132	127	122	117	112	107	102	97
105	137	132	127	122	117	112	107	102	97	92
110	132	127	122	117	112	107	102	97	92	87

Example: When empty weight is 240 kg (529 lbs) and pilot and parachute weight is 95 kg (209 lbs), maximum permissible water ballast is 137 kg (302 lbs).

See page 1-9 for limitations in lbs.

Rolladen Schneider Flugzeugbau GmbH	FLIGHT MANUAL Operating Limitations	LS4	Page 1-9
			Edition 15.12.81

Water Ballast Limitations

Maximum capacity 120-140 kg (264-308 lbs)

Pilot and Parachute (lbs)	Empty Weight (lbs)										Pilot and Parachute (kg)
	507	518	529	540	551	562	573	584	595	606	
154	309	309	309	309	309	309	309	302	291	280	70
165	309	309	309	309	309	309	302	291	280	269	75
176	309	309	309	309	309	302	291	280	269	258	80
187	309	309	309	309	302	291	280	269	258	247	85
198	309	309	309	302	291	280	269	258	247	236	90
209	309	309	302	291	280	269	258	247	236	225	95
220	309	302	291	280	269	258	247	236	225	214	100
231	302	291	280	269	258	247	236	225	214	203	105
243	291	280	269	258	247	236	225	214	203	192	110
	230	235	240	245	250	255	260	265	270	275	

Empty Weight (kg)

Example: When empty weight is 529 lbs and pilot and parachute weight is 209 lbs, maximum permissible water ballast is 302 lbs.

Rolladen Schneider Flugzeugbau GmbH	FLIGHT MANUAL Operating Limitations	LS4	Page 1-10 Edition 1.1.81
--	--	-----	-----------------------------

Baggage Limitations

Baggage compartment should be used for soft and light materials which would not obstruct the pilot after negative accelerations or injure the pilot in crash landings. Maximum weight of soft items 5 kg (11 lbs).

Installation of batteries, radios and barographs should be done in accordance with instructions in Maintenance Manual.

Weight Compensation for Pilots not meeting Minimum Weight Requirements:

Compensating trim weights can be fastened with a knurled nut to a threaded rod ahead of the rudder pedals. One weight of 2.45 kg (5.4 lbs) replaces insufficiency of pilot weight of 5 kg (11 lbs).

Tire Pressure: 3 - 3.5 bar (43 - 50 psi) in mainwheel
 2.5 bar (36 psi) in tailwheel

Rolladen Schneider Flugzeugbau GmbH	FLIGHT MANUAL Operating Limitations	LS4	Page 1-11 Edition 15.12.81
--	--	-----	-------------------------------

Aerobatics: Aerobatic Manoeuvres not approved.

Structural Limitations in Flight:

At 180 km/h (97 kts, 112 MPH) 5.3 G positive and 2.65 G negative.

At 270 km/h (146 kts, 168 MPH) 4.0 G positive and 1.5 G negative.

VFR-Flight: Permitted

Cloud Flying: Permitted, if aircraft is appropriately equipped and certified by inspector.

Minimum Equipment required for VFR and Cloud Flying see Maintenance Manual.

Break Away Link in Tow Rope: for winch and aero tow max. 600 kg (1323 lbs).

Rolladen Schneider Flugzeugbau GmbH	FLIGHT MANUAL Operating Limitations	LS4	Page 1-12 Edition 15.12.81
--	--	-----	-------------------------------

Sideslip

Sideslip speed range: up to 180 km/h (97 kts, 112 MPH)

During sideslip rudder control force decreases to almost zero force.

For a straight and steady sideslip 100% rudder and between 50 to 75% aileron deflection are necessary.

Degradation in airspeed system goes down to zero airspeed indication. Depending on airspeed indicator, negative values may be indicated. (Fuselage nose pitot and forward side statics used).

Rolladen Schneider	FLIGHT MANUAL	LS4	Page 2--1
Flugzeugbau GmbH	Emergency Procedures		Edition 1.1.81

Stalls:

Before entering stall, light tail shudder can be noticed. The effectiveness of the ailerons is reduced by about 50%, and the rate of sink increases considerably. The stall should be terminated through downward deflection of the elevator.

Spins:

If a stall is exaggerated through further upward deflection of the elevator, depending on C.G. position, the aircraft may spin.

Termination of spin by downward deflection of elevator, pronounced deflection of rudder opposite to spin direction and careful pull out.

Altitude loss due to termination of spin is about 50 m (150 ft).

DG Flugzeugbau GmbH	FLIGHT MANUAL LS4	Emergency Procedures	Page 2-2
			Issued May 2011 TN 4032 Rev. 2

Limitation of High Speed Flight

If there are indications while flying under large cloud buildt-ups, or while flying in clouds, that the maximum permissible rough air speed will be exceeded, dive brakes should be deployed carefully before 180 km/h (97 kts, 112 MPH) is reached. Dive brakes can also be deployed in emergencies up to a speed of 270 km/h (146 kts, 168 MPH}. However, one should remember that after unlocking dive brakes will open rapidly and cause uncomfortable negative accelerations.

When dive brakes are deployed during descent after high altitude wave flights, a speed of 180 km/h (97 kts, 112 MPH) should not be exceeded because of possible severe turbulence.

Emergency Canopy Release

Pull red handle on right side of instrument panel to release forward canopy hinge, then open canopy locks on both sides of cockpit and push canopy off.

Reverse sequence is also possible.

With TN 4032 executed:

To bail out open canopy locking handles, then pull the red canopy emergency release handle until the canopy hinge disengages. A spring at the canopy hinge lifts the canopy at the front end.

Only in case the canopy doesn't separate by itself from the fuselage, you have to push the canopy upwards with both hands on the Plexiglas.

The latch on the rear of the canopy is held back by a spring in the fuselage. This creates a point of rotation to ensure a safe separation of the canopy.

Rolladen Schneider	FLIGHT MANUAL	LS4	Page 2-3
Flugzeugbau GmbH	Emergency Procedures		Edition 1.1.81

Rain:

Raindrops will change the airfoil and will reduce performance. Therefore, the approach speed to a landing should be increased by at least 10 km/h (5 kts, 6 MPH). To improve visibility canopy window should be opened when flying in rain.

Icing:

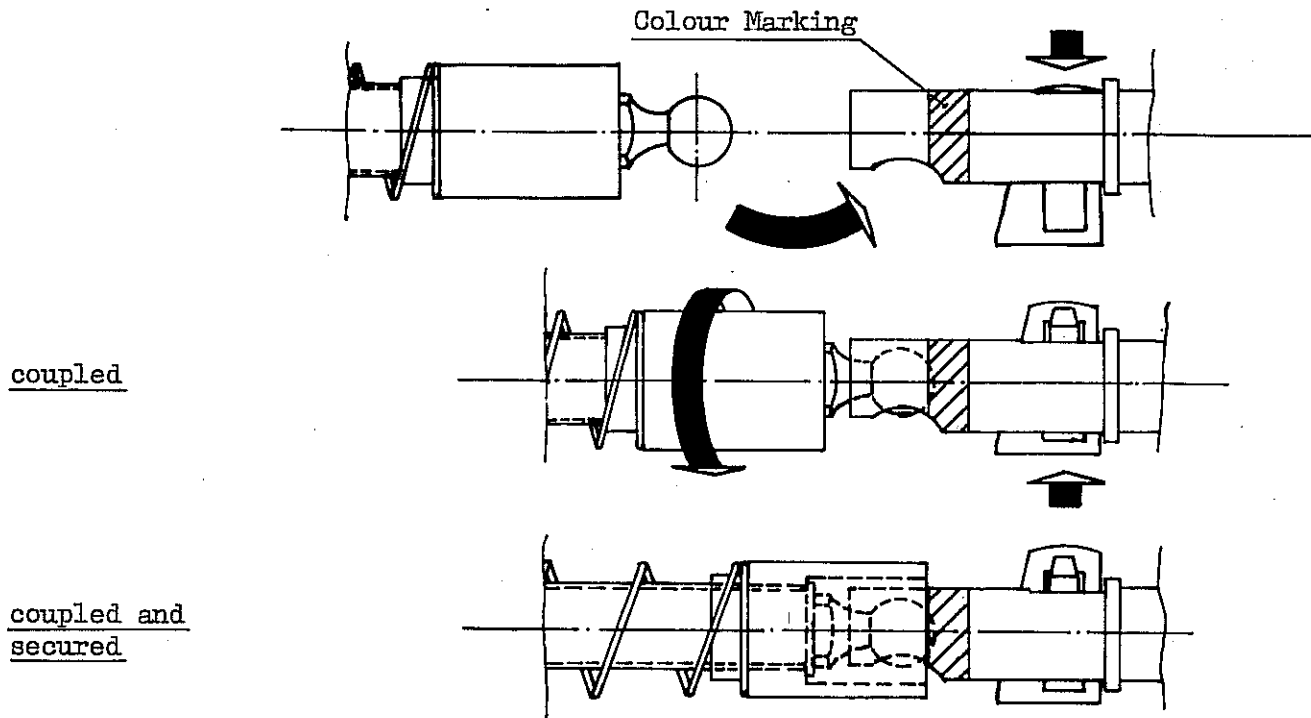
Water ballast should be drained when there is danger of freezing to avoid ice formation at the tail or one sided freezing of the water ballast. When there is danger of icing, control surfaces should be moved continuously. To improve visibility, canopy window should be opened.

Rolladen Schneider	FLIGHT MANUAL	LS4	Page 3-1
Flugzeugbau GmbH	Normal Procedures		Edition 1.1.81

Assembly

1. Clean and grease all pins and matching holes.
2. Insert left spar end into fuselage and watch for angle of dihedral.
3. Insert right spar end into fuselage and watch for angle of dihedral.
4. Insert main pins when holes are lined up correctly.
5. Secure main pins.
6. Connect dive brake system with ball snap joints.
7. Secure ball snap joints of dive brake system by turning LS-sleeve over joint as far as possible. Check securing by trying to disassemble connectors. See also drawing on page 3-2.
8. Connect aileron system with ball snap joints.
9. Secure ball snap joints of aileron system by turning LS-sleeve over joint as far as possible. Check securing by trying to disassemble connectors. See also drawing on page 3-2.
10. Check steering system connections visually using built in mirrors and colour marking.

Assembly of ball snap joints (dive brake and aileron system):



Rolladen Schneider Flugzeugbau GmbH	FLIGHT MANUAL Normal Procedures	LS4	Page 3-3 Edition 1.1.81
--	------------------------------------	-----	----------------------------

Assembly continued:

11. Insert battery into vertical tail fin.
12. Install horizontal tail and secure with slotted nut against tapered bolts using a suitable coin until red marking on mounting bracket is invisible.
13. Install total energy tube, battery (if not already in vertical tail fin) and barograph. Connect automatic parachute to red marked portion at main bulkhead using special loop only.
14. Tape upper and lower wing fuselage connection and access hole on upper side of horizontal tail.
15. Fill water ballast and check proper dumping.

Disassembly:

Reverse assembly sequence, except before removing main pins turn LS-sleeves free of ball snap joints and disconnect aileron and divebrake systems.

DG Flugzeugbau GmbH	FLIGHT MANUAL LS4	Normal Procedures	Page 3-4
			Issued May 2011 TN 4032 Rev. 2

Pre—flight Checks:

1. Check water drain holes and check for leaks in water ballast tanks.
2. Check static ports, pitot and total energy tube for clogging.
3. Check tire pressure in wheel (3 — 3.5 bar, 43 - 50 psi). in tail wheel (2.5 bar, 36 psi)
4. Check wheel brake effectiveness.
5. Check tow release.
6. Check proper function of canopy locking and emergency release (not daily, but to be completed at minimum every 3 months):
 - a) "Pilot" in seat, both canopy locking handles opened. One person at the front end to lift the canopy from the fuselage.
After pulling the emergency canopy release handle the canopy must be freely moveable at the front.
With TN4032 executed: The canopy must be lifted at the front by the spring at the hinge by about 60 mm <2.4 in.>.
 - b) After pulling the emergency canopy release handle the pilot pushes the canopy up at the rear to disengage the LS-Latch (Röger hook) from the spring on the fuselage.
 - c) Then the pilot lifts the canopy at the rear end up as far as possible, the person at the front end holds the canopy.

Caution: The person at the front end should not lift the canopy too far up. Otherwise this would unduly deform the spring of the LS-Latch (Röger hook) located at the fuselage.

Note: b) and "Caution*" apply only if TN 4032 LS-Latch (Röger Hook) has been completed

Reinstalling the canopy:
2 persons are needed

 - a) Pull up the canopy hinge to the open position.
 - b) One person (at the front end) holds with one hand the emergency release lock in open position (rotate clockwise) and places the canopy with the other hand onto the hinge. The other person holds the canopy at the rear end so far up that it matches the canopy hinge.
 - c) The front person engages the canopy by turning the emergency release lock anti-clockwise to the stop.
With TN4032 executed: The spring fixed at the canopy must be inserted into the ring at the canopy lifting mechanism. When pressing down the canopy make sure that the spring doesn't buckle.
7. Check weight and balance, especially minimum and maximum cockpit loads, trim weights and battery position.
8. Check instruments including radio.
9. Adjust backrest and rudder pedals.
10. Check papers.
11. Before take off carry out check in accordance with check list under Instrument panel cover.

Rolladen Schneider	FLIGHT MANUAL	LS4	Page 3-5
Flugzeugbau GmbH	Normal Procedure		Edition 1.1.81

Post-flight Checks

1. Remove insects and dust.
2. If moisture has accumulated in divebrake boxes, remove with sponge.
3. Ensure that water ballast has been dumped.

Adjustment of Rudder Pedals

Adjustment is possible in flight and on the ground. Release pressure of pedals and unlock pawl pulling release handle. Push pedals forward with feet into desired position and lock. To move pedals rearward, pull pedals with release handle into desired position and lock.

Adjustment of Backrest

Adjustment of lower backrest bracket is possible only on the ground and allows for fitting of various types of parachutes. Pull cable through slot in backrest for unlocking.

Adjustment of slope of backrest is possible during flight. Be careful that locking pin catches in slot on right cockpit rim properly.

Automatic parachute ripcord

- (a) Attach to red main bulkhead portion at left rear of pilot
- (b) Use special loop only

Retractable Landing Gear

- (a) Extension or retraction permitted over whole approved speed range
- (b) Rapid operation eases retraction
- (c) Handle locked in forward overcenter position = gear up
- (d) Handle locked in rearward overcenter position = gear down

Important Note: **During winch launch, retract gear after releasing tow cable, because C.G. hook is fitted to landing gear fork.**

Warning: **Extend or retract landing gear only, when air brakes are retracted and locked or completely extended.**

Wheel Brake

- (a) Press rudder pedals with both feet to activate wheel brake.
- (b) Wheel brake is an emergency brake, therefore it should be used sparingly because of high wear rate of linings.

Rolladen Schneider	FLIGHT MANUAL	LS4	Page 3-7
Flugzeugbau GmbH	Normal Procedures		Edition 1.1.81

Trim System

Trim locking lever is fitted to control stick. Pulling the locking lever frees trim lever at left cockpit side, which allows trimming stick forces to zero or trimming for desired speeds: forward for nose down, rearward for nose up.

Release locking lever to fix trim setting. Position of trim lever relative to neutral mark indicates trim setting.

Rolladen Schneider	FLIGHT MANUAL	LS4	Page 3-8
Flugzeugbau GmbH	Normal Procedures		Edition 1.1.81

Water Ballast

Each tank holds about 70 liters (18.5 US gallons, 15.4 Imp. gallons).

Maximum permissible load should be taken from table on pages 1-8 or 1-9.

Filling of Water Tanks: Open appropriate dump valve and lay wing tip on the ground. Using connection hose, suck residual air from water bag. Subsequently, fill desired amount of water. During filling disconnect funnel several times to allow residual air to get out. Never use more than 0.1 bar water pressure (funnel max. 1 m (3.3 ft) above wing). Close valve and repeat same procedure on other wing.

Dumping of Water: Open both valves simultaneously. 10 liters will be dumped in approximately 10 seconds. Unequal dumping may be indicated when aircraft with free stick rolls around longitudinal axis. This necessitates early counteraction during landing roll.

Note: Flights with water ballast when temperatures are below freezing should be made only if water is dumped after landing. When tanks are partially filled, keep wings horizontal before take off to avoid unequal water distribution.

Rolladen Schneider	FLIGHT MANUAL	LS4	Page 3-9
Flugzeugbau GmbH	Normal Procedures		Edition 1.1.81

Winch Launch

Adjust backrest properly (see page 3-5) and tighten seat belt harness to avoid sliding backwards during acceleration and steep climb.

Trim slightly forward, trim lever just before reference mark.

Ask winch operator to avoid brisk acceleration. The higher the starting acceleration, the higher is the pitch up tendency.

When the tow cable tightens, use wheel brake to avoid rolling over tow cable. Pronounced forward stick pressure is required in transition arc.

Minimum winch launch speed without water ballast 90 km/h (49 kts, 56 MPH)
with water ballast ... 100 km/h (54 kts, 62 MPH)

Rolladen Schneider	FLIGHT MANUAL	LS4	Page 3-11
Flugzeugbau GmbH	Normal Procedures		Edition 1.1.81

Free Flight

Stall Speed is between 65 to 70 km/h (35-38 kts, 40-44 MPH) without water ballast, with full water ballast 75 to 80 km/h (41-43 kts, 47-50 MPH) in straight and level flight.

Note: When flying with empty water tanks, leave dump valves in open position to avoid pressure built up inside tanks at altitude.

Best Glide Angle: between 90 and 100 km/h (49-54 kts, 56-62 MPH)

High Speed Flight: Trim high speeds. Check speed indication regularly to avoid exceeding limit values.

Landing

- (a) Always extend landing gear in time and lock.

Warning: *In case of late landing gear extension during final approach, do retract airbrakes and lock beforehand.*

- (b) Landing with gear retracted not advisable, because pilot is much better protected by the sprung landing gear compared to the fuselage shell.
- (c) Water ballast should normally be dumped prior to landing. Because of possible unequal dumping leave valves open.

Warning: *Minimum approach speed with air brakes fully extended:*

<i>without water ballast</i>	<i>not below 90 km/h <49 Kt., 56 mph>.</i>
<i>with water ballast</i>	<i>not below 100 km/h <54 Kt., 62 mph>.</i>

- (d) Air brakes allow control of glide angle within wide limits, therefore sideslipping is not necessary.

Warning: *Minimum speed increases*

<i>With air brakes extended</i>	<i>by about 10 km/h <5 Kt., 6 mph>.</i>
<i>In rain and with air brakes extended</i>	<i>by about 20 km/h <11 Kt., 12 mph>.</i>

Warning: *Sideslip with air brakes extended is not recommended for landing, because nose heavy moment of air brakes allows no slow speed sideslip.*

Rolladen Schneider	FLIGHT MANUAL		Page 3-13
Flugzeugbau GmbH	Normal Procedures	LS4	Edition 1.1.81

High Altitude Flights

Increasing altitude yields higher true airspeed than indicated airspeed and this difference increases with increasing altitude. This does not influence loads on the structure, which means that colour markings on airspeed indicator are valid unless limited by red lines.

However, as structural limitation depends on true airspeed, this should never be beyond 270 km/h (146 kts, 168 MPH) up to 2000 m (6600 ft) above MSL.

Using table on page 1-2, maximum permissible airspeeds depending on altitude, the pilot is able to avoid flying faster than true airspeed of 270 km/h (146 kts, 168 MPH).

Example: Indicated airspeed of 219 km/h (118 kts, 136 MPH) at 6000 m (19700 ft) altitude corresponds to 270 km/h (146 kts, 168 MPH) true airspeed.

Flight manual LS4

4 Supplements

Section		page
4.1	Introduction	4-1
4.2	List of inserted supplements	4-1
4.3	Neo-Winglets TN4049	4-2 – 4-3

4.1 Introduction

This section contains the appropriate supplements necessary to safely and efficiently operate the sailplane when equipped with various optional systems and equipment not provided with the standard sailplane.

4.2 List of inserted supplements

Date of insertion	Document No.	Title of the inserted supplement
February 2019	Section 4.3	Neo-Winglets TN4049

Flight manual LS4

4.3 Neo-Winglets

Introduction

In the following text the changes to those sections of the flight manual which are affected by the installation of neo-Winglets will be given. For operation without neo-Winglets the data of the other LS4 flight manual sections are applicable.

Section 1 Limitations

Subsection amended

Page 1-5 Mass (weight)

Maximum weight of the non-lifting parts = 250 kg 517 lbs.

Note: The increase of the max. mass of non-lifting parts according to maintenance manual LS4 issued May 2011 section 2.2.1 item 2 and tables in section 2.4 are not applicable.

Water ballast in the wings: TN4046 and 4047 must be executed for operation with neo-winglets. Thus the max. amount of water in the ballast bags is reduced to 56 kg per bag in case the bag will be made smaller or 50 kg per bag if new bags 4F5-81 will be installed.

Flight manual LS4

Section 3 Normal procedures

Subsections amended

Page 3-1 Rigging and derigging

Caution: When rigging and derigging the wings the wingtips with neo-Winglets (Option) shouldn't be installed.

Caution: Due to flutter reasons it is not allowed to mount additional masses (e.g. cameras) on the neo-Winglets!

Rigging and derigging the wingtips (Option winglets)

1. Remove the wingtips without winglets (if installed). To accomplish this screw tool W70 into the locking pin and pull out the pin.
2. Slide the wingtip with winglet onto the tubular spar so far that the pins at the root rib engage into the bushes, then push in firmly. Push in the locking pin so far that it matches the wing surface. The pin will be locked by a ball catch. You should notice the catching.
3. Removal of the wing tips with winglets is the same procedure as described under 1.
4. Install the wingtips without winglets (if existent) following the procedure as described under 2. for trailer storage.

Note: If you don't have wingtips without winglets the trailer must be modified to hold down the wings at the tubular spars.

Page 3-4 Daily Inspection

Wings

Option neo-Winglets: Wingtips correctly mounted? Securing pin flush with wing surface and locked?